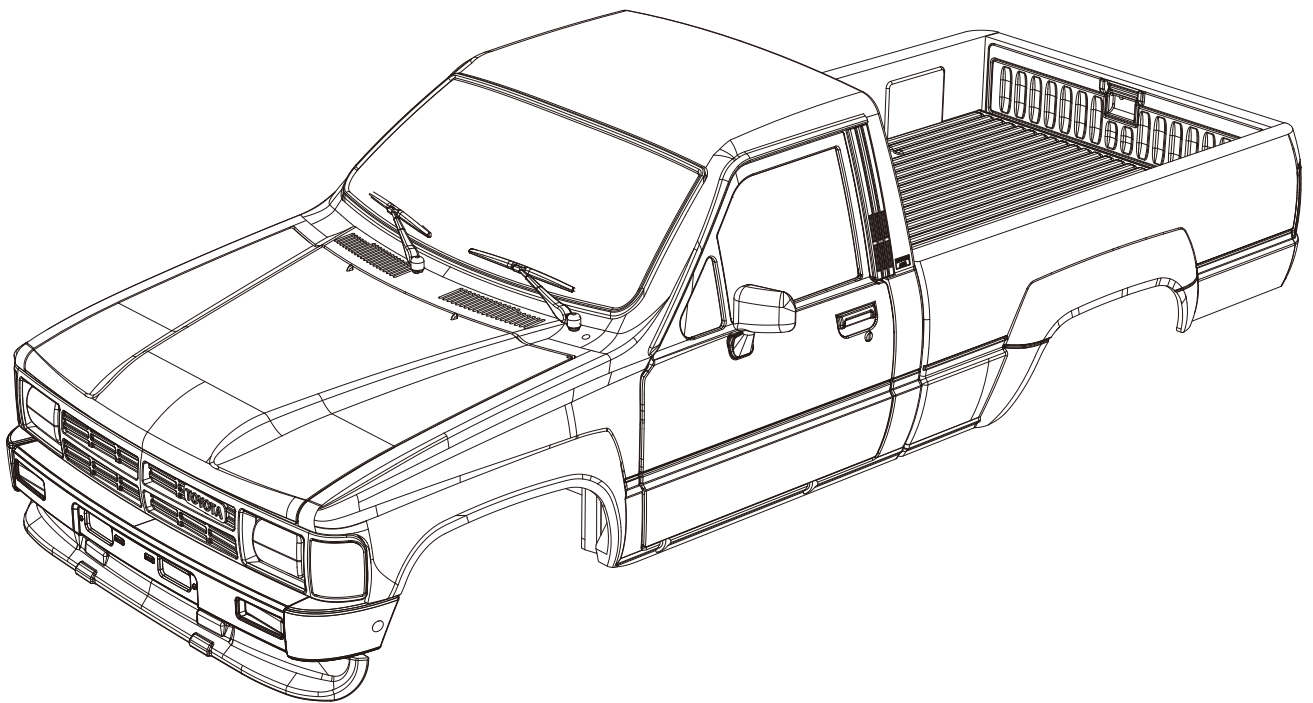
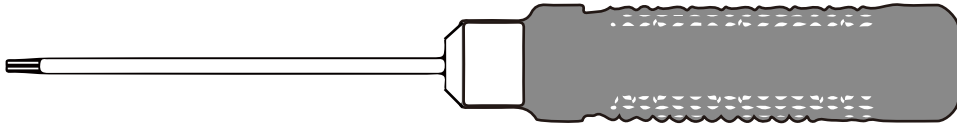


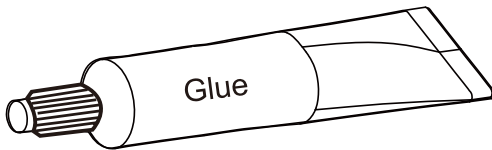
RC4WD 1985 TOYOTA PICKUP HARD BODY COMPLETE SET



Recommended Tools



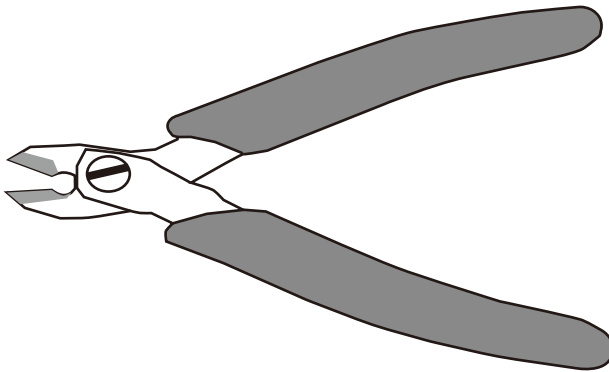
Hex Drivers (1.5mm, 2mm)



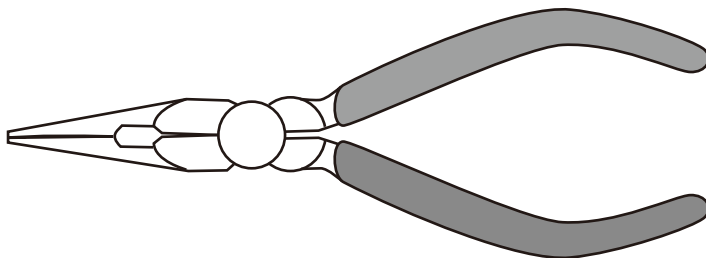
(Foam safe CA, Shoe Goo or E6000, Styrene Glue, Epoxy)



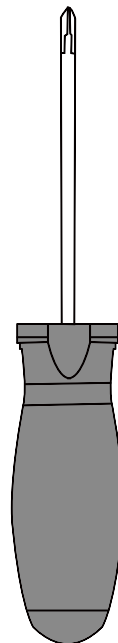
Hobby Knife



Side Cutters



Long Nose Pliers



Cross head screwdriver (Small)

Warranty

RC4WD non-electrical products are warranted to be free of defects in materials and workmanship when new. Our limited warranty does not cover damages due to normal wear and tear, user error of assembly or installation, user modifications, user's failure to perform routine maintenance, addition of aftermarket parts or option parts. This warranty lasts 30 days after arrival for original purchaser.

In the event of a defect under this warranty, RC4WD will, at our discretion, replace the product, provided our inspection indicates that an original defect exists. RC4WD reserves the right to replace any product which is no longer available with a product of comparable value and function. If RC4WD determines the repair is not covered under warranty guidelines, we will contact you to discuss your options. If you have any questions, please contact us via email at support@rc4wd.com.

RC4WD warrants its electronics for 30 days from date of arrival. This covers all electrical items except items that are already noted on the individual product page.

Los productos no eléctricos RC4WD están garantizados como libres de defectos en materiales y mano de obra cuando son nuevos. Nuestra garantía limitada no cubre los daños debidos al desgaste normal, a errores de montaje o instalación por parte del usuario, a modificaciones del usuario, a la falta de mantenimiento rutinario por parte del usuario, a la adición de piezas de recambio o a piezas opcionales. Esta garantía dura 30 días después de la fecha de entrega para el comprador original.

En el caso de un defecto bajo esta garantía, RC4WD, a nuestra discreción, reemplazará el producto, siempre que nuestra inspección indique que existe un defecto original. RC4WD se reserva el derecho de sustituir cualquier producto que ya no esté disponible por otro de valor y función comparables. Si RC4WD determina que la reparación no está cubierta por la garantía, nos pondremos en contacto con usted para discutir sus opciones. Si tiene alguna pregunta, por favor contáctenos por correo electrónico a support@rc4wd.com.

RC4WD garantiza su electrónica por 30 días a partir de la fecha de entrega. Esto cubre todos los artículos eléctricos, excepto los que ya están anotados en la página del producto individual.

Les produits non électriques RC4WD sont garantis comme étant exempts de défauts de matériaux et de fabrication lorsqu'ils sont neufs. La garantie limitée ne couvre pas les dommages dus à l'usure normale, aux erreurs de montage ou d'installation de l'utilisateur, aux modifications apportées par l'utilisateur, au défaut d'entretien courant de l'utilisateur, à l'ajout de pièces de rechange ou de pièces optionnelles. Cette garantie dure 30 jours à compter de la date d'arrivée de l'acheteur initial.

En cas de défaut au titre de cette garantie, RC4WD remplacera, à notre discrétion, le produit, à condition que notre inspection indique qu'il s'agit d'un défaut d'origine. RC4WD se réserve le droit de remplacer tout produit indisponible par un produit de valeur et de fonction comparables. Si RC4WD détermine que la réparation n'est pas couverte par les directives de garantie, nous vous contacterons pour discuter des possibilités qui s'offrent à vous. Si vous avez des questions, veuillez nous contacter par courriel à support@rc4wd.com.

RC4WD garantit ses appareils électroniques pendant 30 jours à compter de la date d'arrivée. Cette garantie couvre tous les articles électriques, à l'exception de ceux qui sont déjà mentionnés sur la page de chaque produit.

Alle RC4WD, nicht elektrischen Produkte“ sind garantiert frei von Materialfehlern durch die Produktion und Verarbeitung. Die Garantie deckt nicht Schäden aufgrund normaler Abnutzung, Benutzerfehler bei der Montage oder Installation, Änderungen durch den Benutzer, unterlassen der routinemäßigen Wartung durch den Benutzer, hinzufügen von Fremdteilen oder Optionsteile. Diese Garantie beträgt 30 Tage nach Kauf und Erhalt der Ware durch den Käufer. Im Falle eines Mangels im Rahmen dieser Garantie, wird RC4WD nach Ermessen und sofern nach einer Kontrolle ein ursprünglicher Defekt vorliegt, das Produkt austauschen.

RC4WD behält sich das Recht vor, Produkte die nicht mehr erhältlich sind, mit einem gleichwertigem Produkt mit vergleichbarer Funktion zu tauschen.

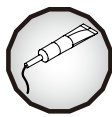
Wenn die Reklamation nicht mehr unter der Garantie fällt, wird Sie RC4WD für weitere Lösungen kontaktieren. Bei Fragen kontaktieren Sie uns bitte per E-Mail unter support@rc4wd.com.



Instruction Manual Symbols Key



Apply Thread Lock



Apply Grease



Glue



Trim with Hobby Knife



CA Glue



Remove



Cut with Scissors



Repeat or Build Multiple



Build Right and Left



Paint



Attention



Build Front and Rear



Contact Cement

Tips for Assembly

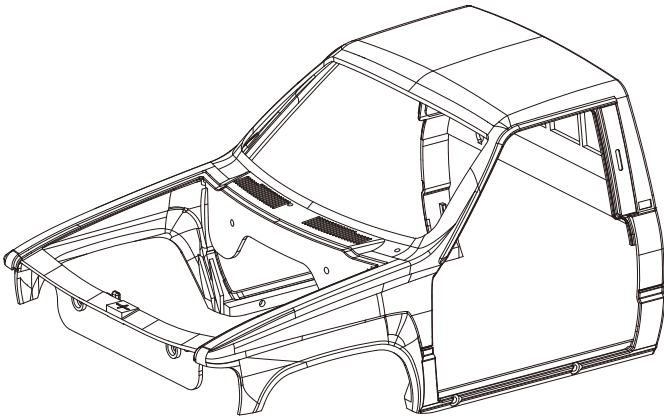
- Use good quality hex drivers to avoid stripping screw heads.
- Open kit bags in order of assembly steps.
- Use “Step” index for quantity and size of hardware to be used for assembly.
- Do not over tighten screws.
- Use thread lock sparingly on metal parts.

Recommendations for building your Recommendations for building your RC4WD 1985 Toyota Single Cab Pickup Hard Body Set.

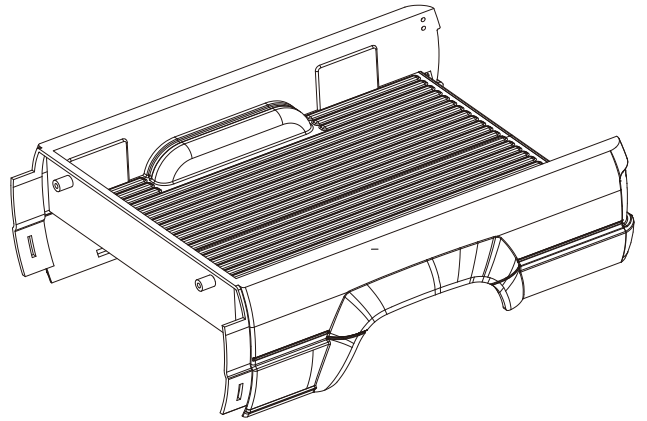
1. Carefully remove all parts from bags and sort them. Make sure to use threadlock on all screws installed into metal parts.
2. Do not over-tighten screws. Stripping screw heads and holes during assembly can happen if you are using too much force.



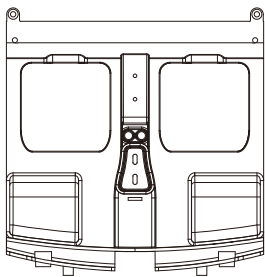
Parts List



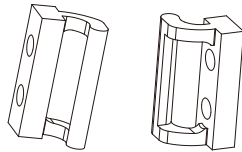
325-1618



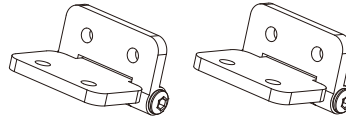
325-0437



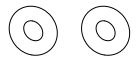
325-0438



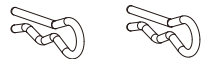
450-0108



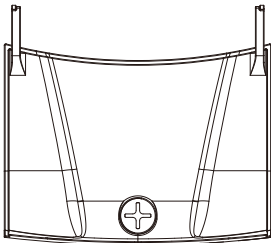
350-1180



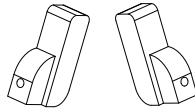
325-0981



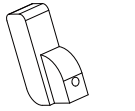
350-1182



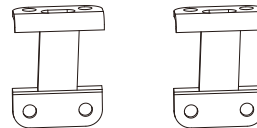
325-0090



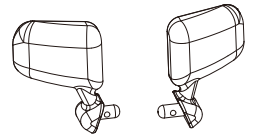
350-1072



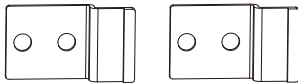
350-1073



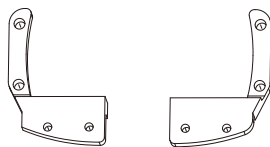
450-0114



325-0119



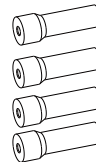
450-0113



500-0106



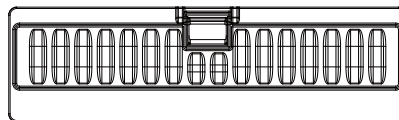
500-0107



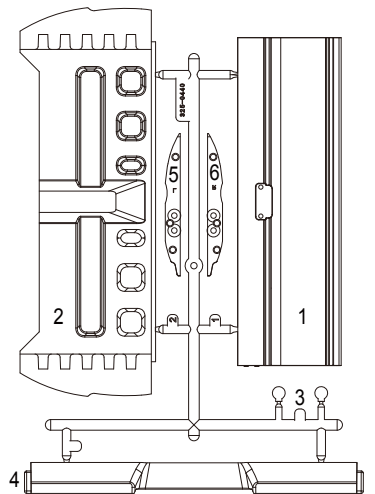
350-1375



500-0182



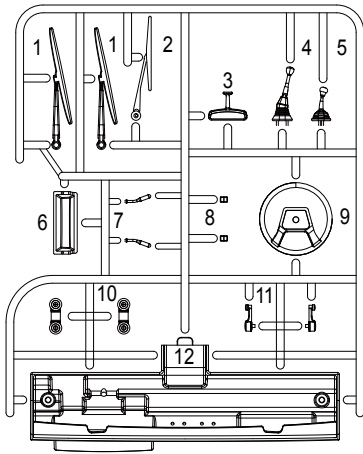
325-1130



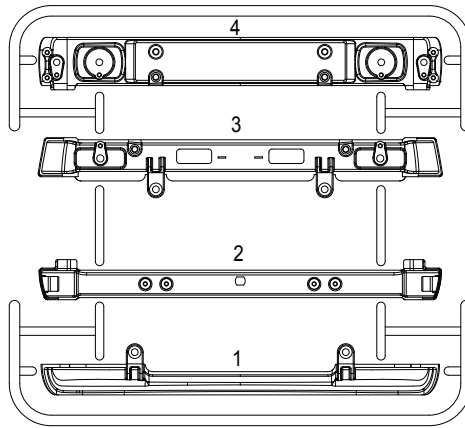
325-0440



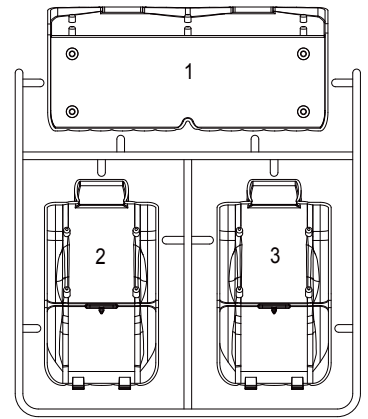
Parts List



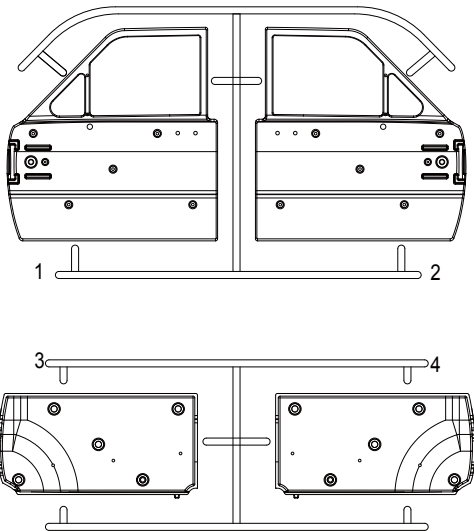
325-0087



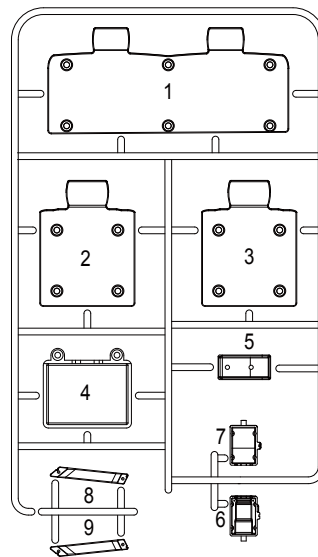
325-0109



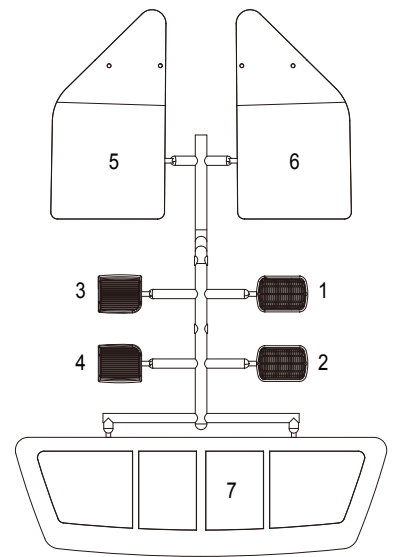
325-0083



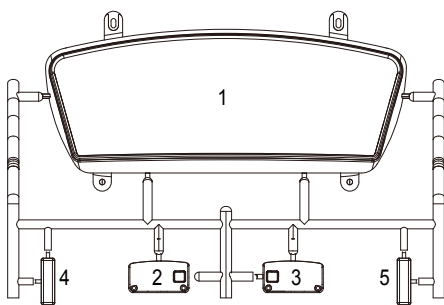
325-0115



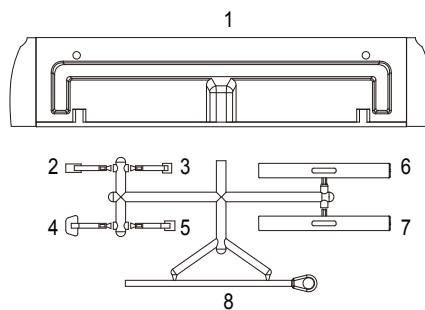
325-0093



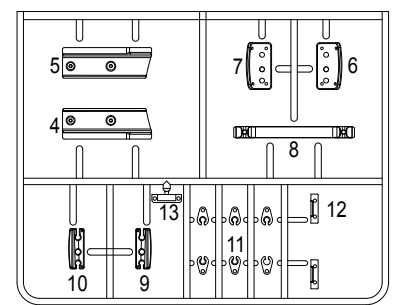
325-1620



325-1619



325-1617



325-0931



RC4WD

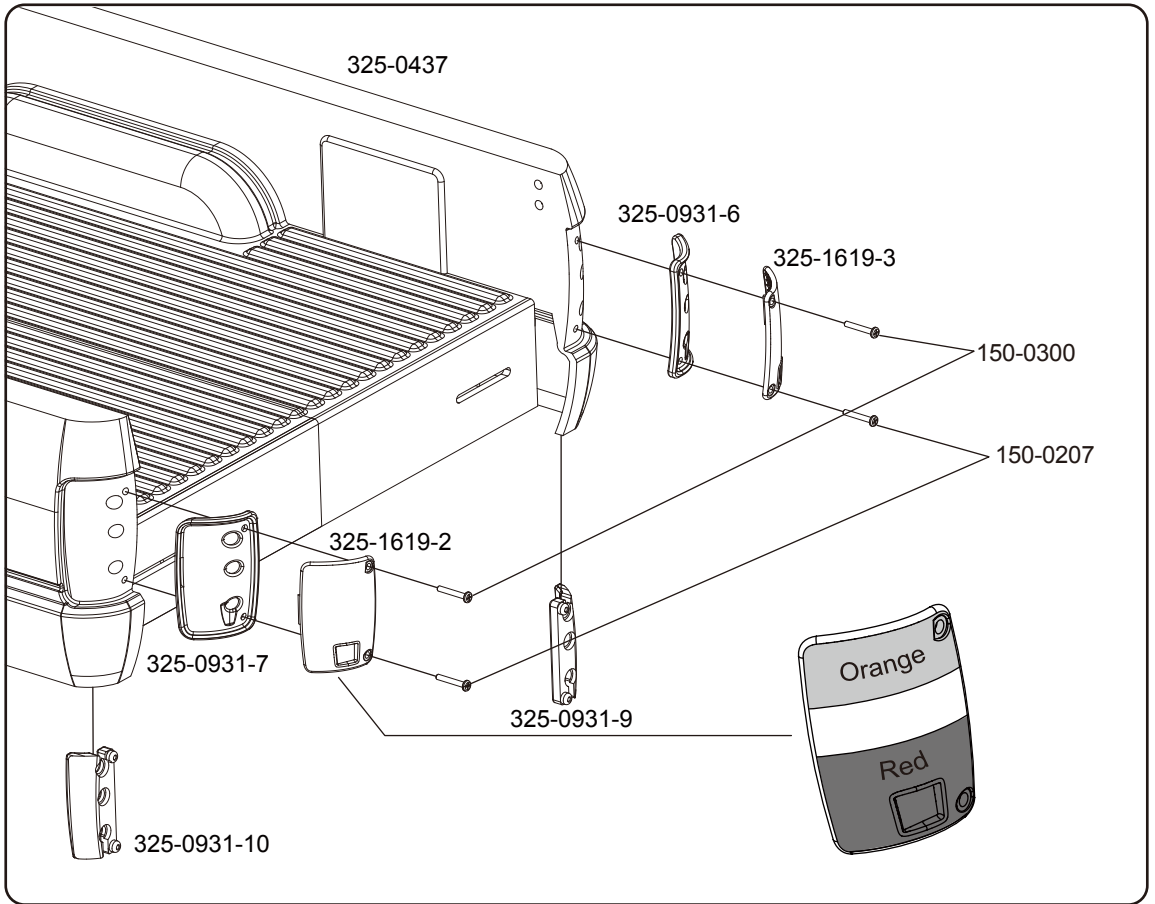
Step 1

*Pre-screw the holes in the inner mounts. This will make installing the brackets much easier.

*Use Tamiya Translucent Paint in the areas labeled with colors on the lights.

 X2
150-0207
M1.6 x 10mm
Cross Head
Self Tapping Screws

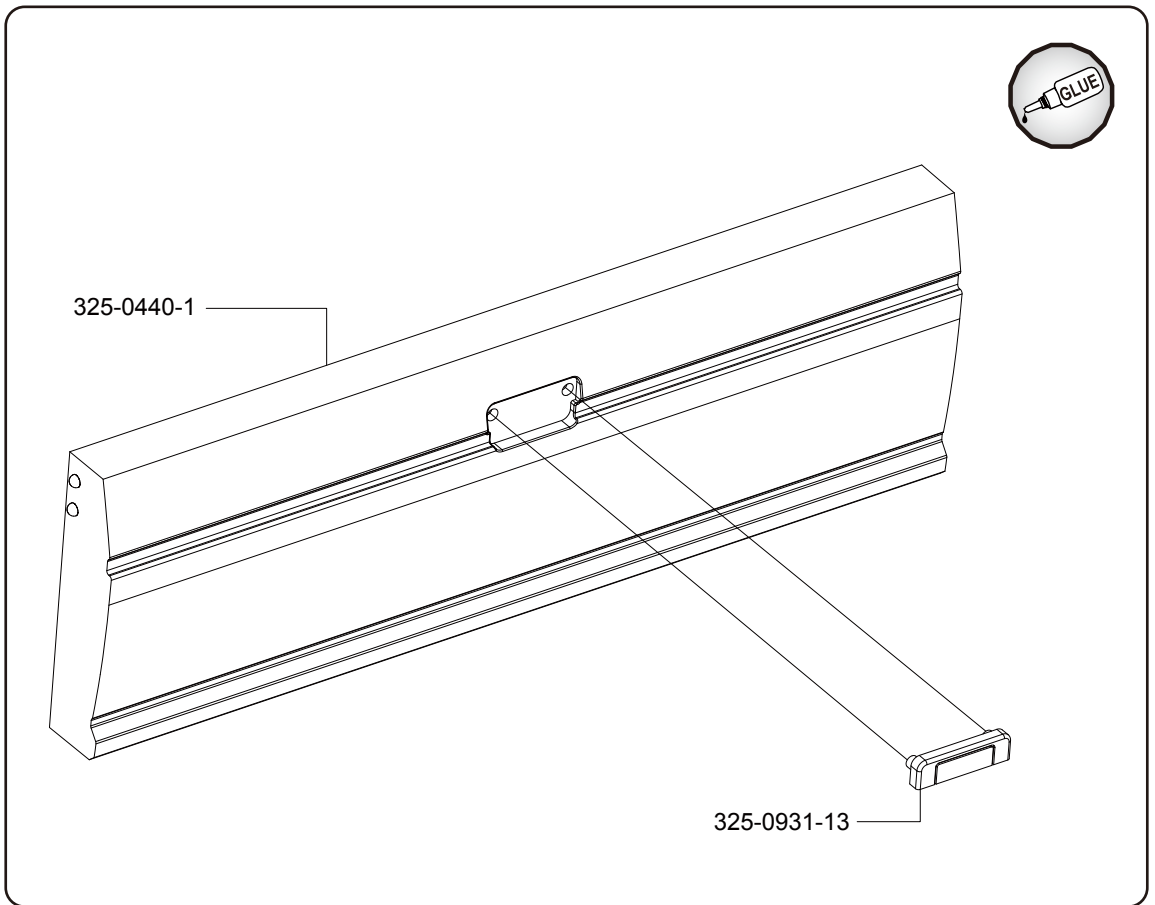
 X2
150-0300
M1.6 x 12mm
Cross Head
Self Tapping Screws



RC4WD

Step 2

*Use styrene solvent glue or foam safe super glue.



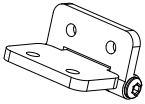
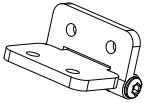
RC4WD

Step 3

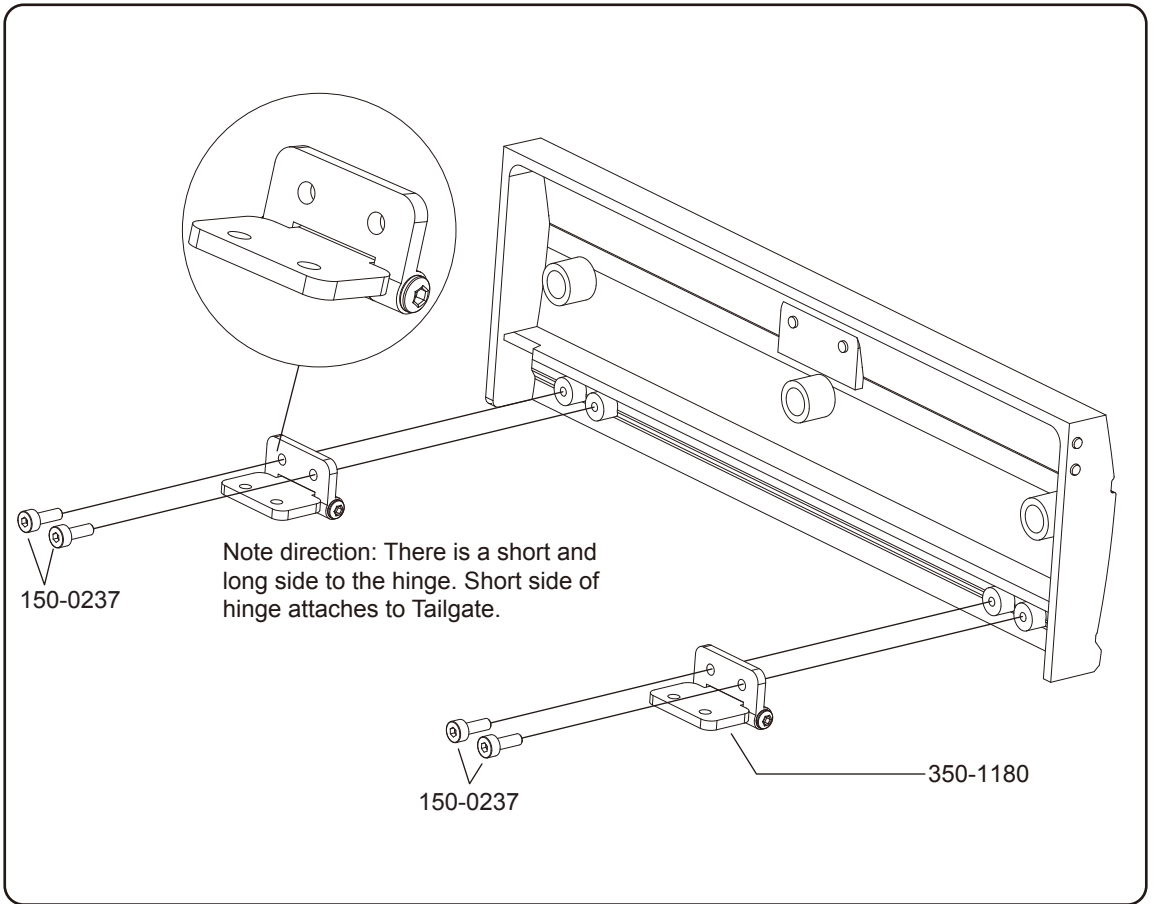
X4

150-0237
M2 x 5mm

Socket Head
Self Tapping Screws



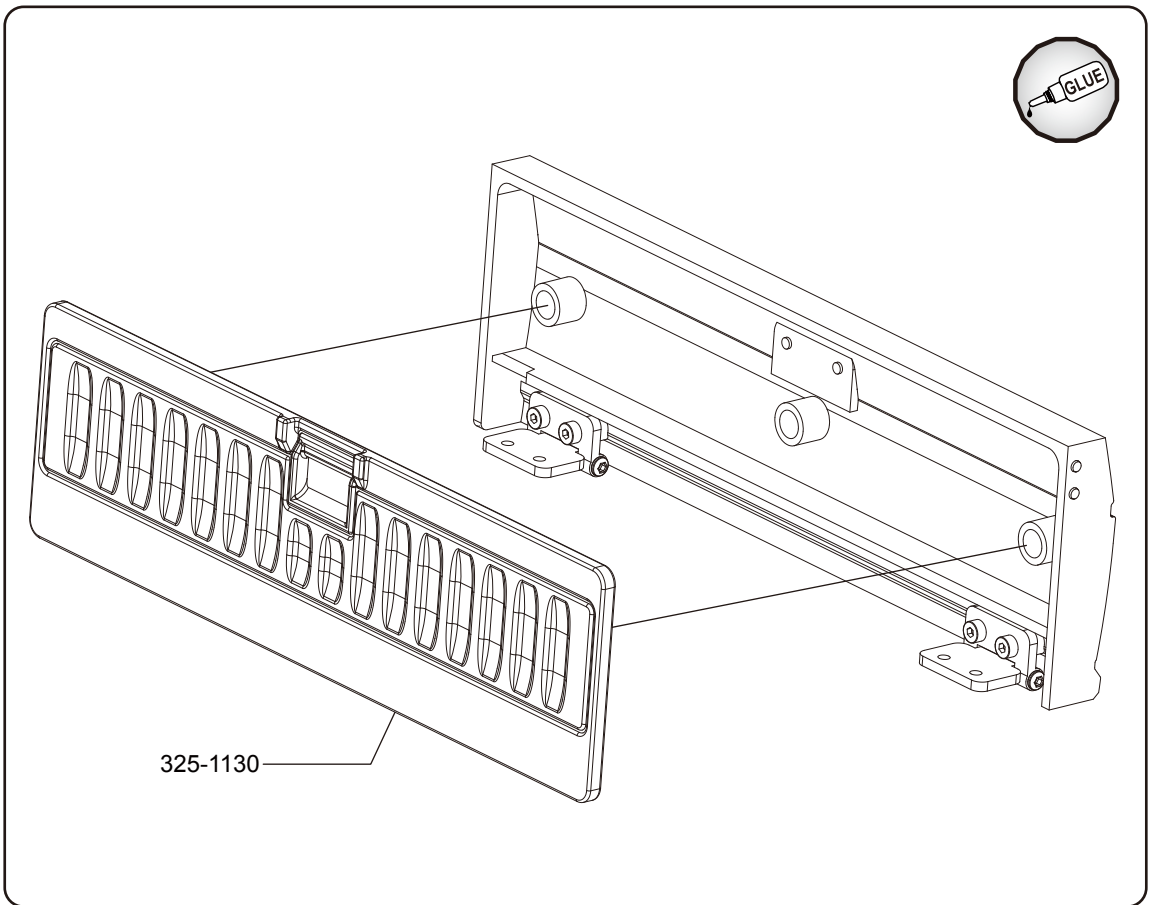
350-1180



RC4WD

Step 4

*Use styrene solvent
glue or foam safe
super glue.



RC4WD

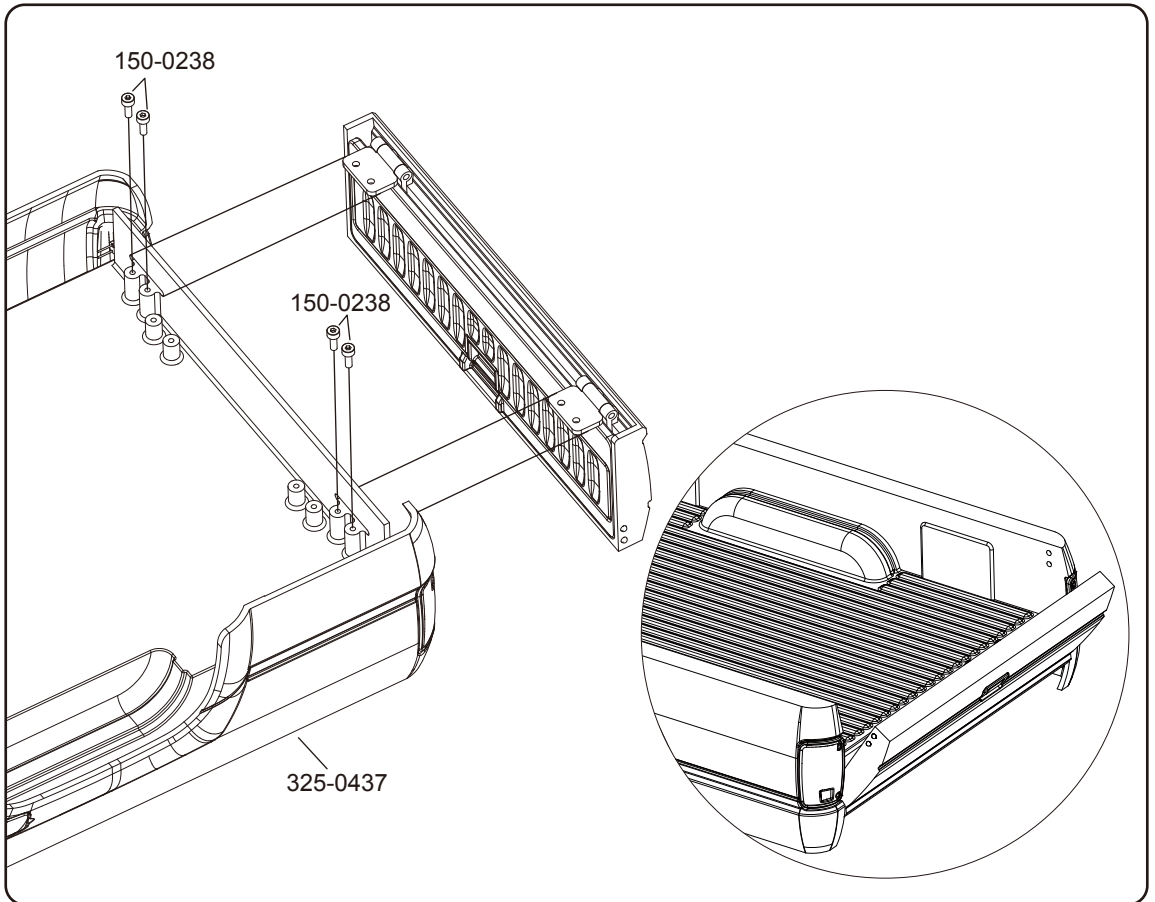
Step 5

*Locking posts are designed for a very snug fit when the tailgate is closed. These may be trimmed slightly to allow the tailgate to open more easily if desired.



X4

150-0238
M2 x 6mm
Socket Head
Self Tapping Screws



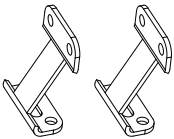
RC4WD

Step 6

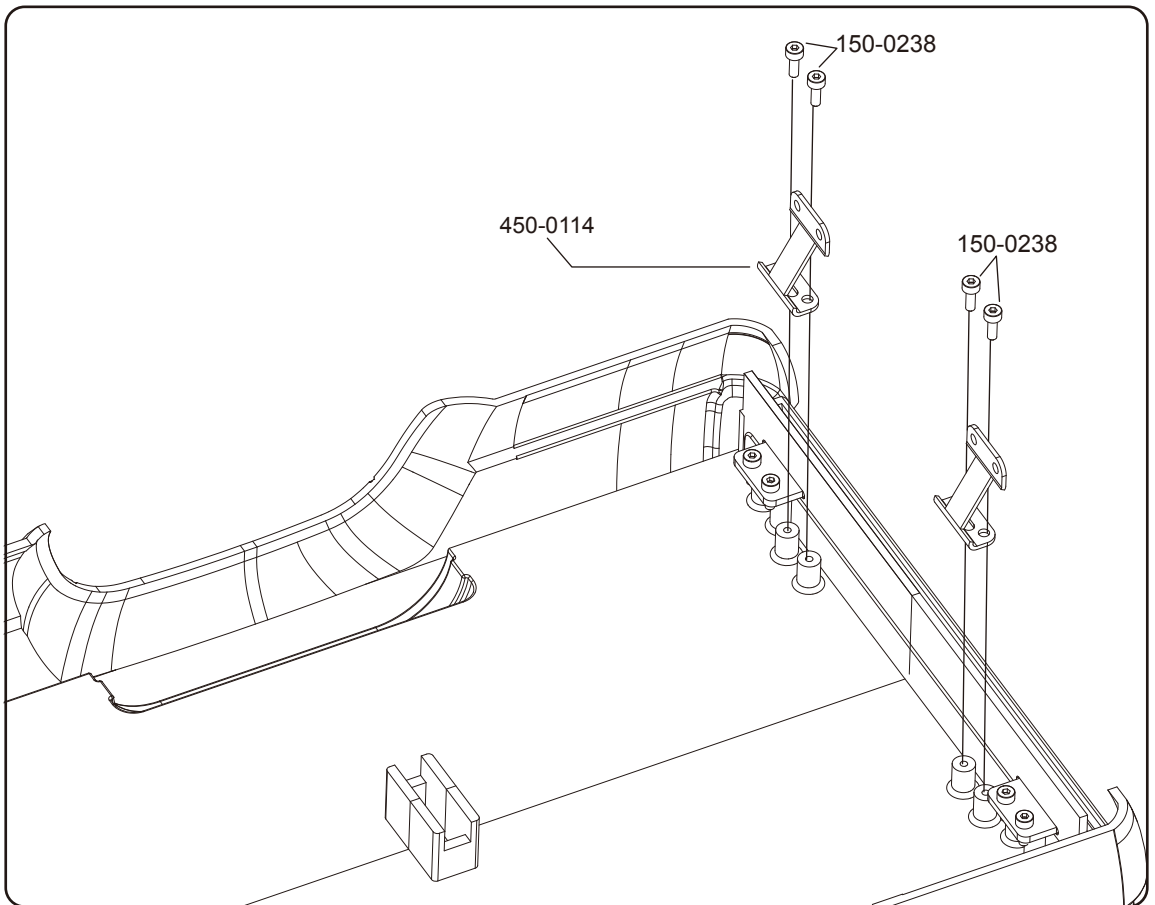


X4

150-0238
M2 x 6mm
Socket Head
Self Tapping Screws

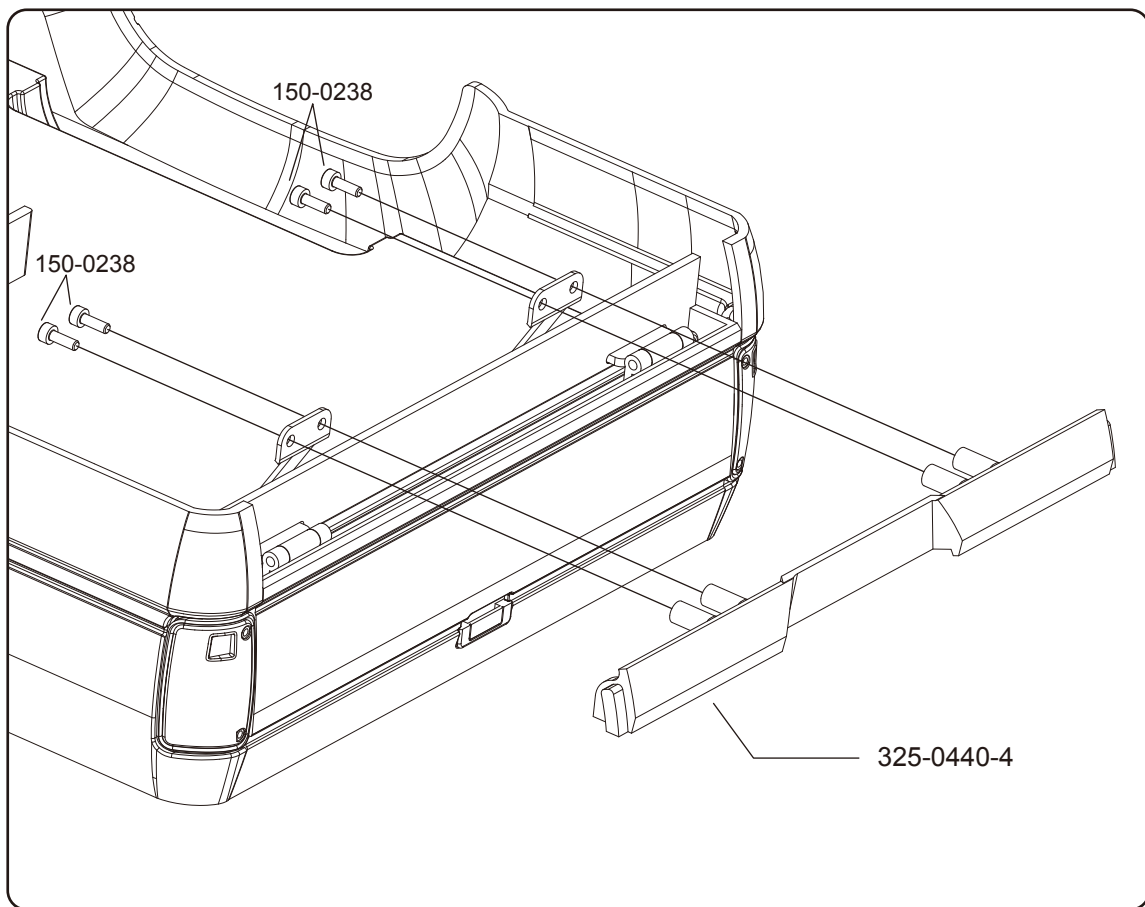


450-0114



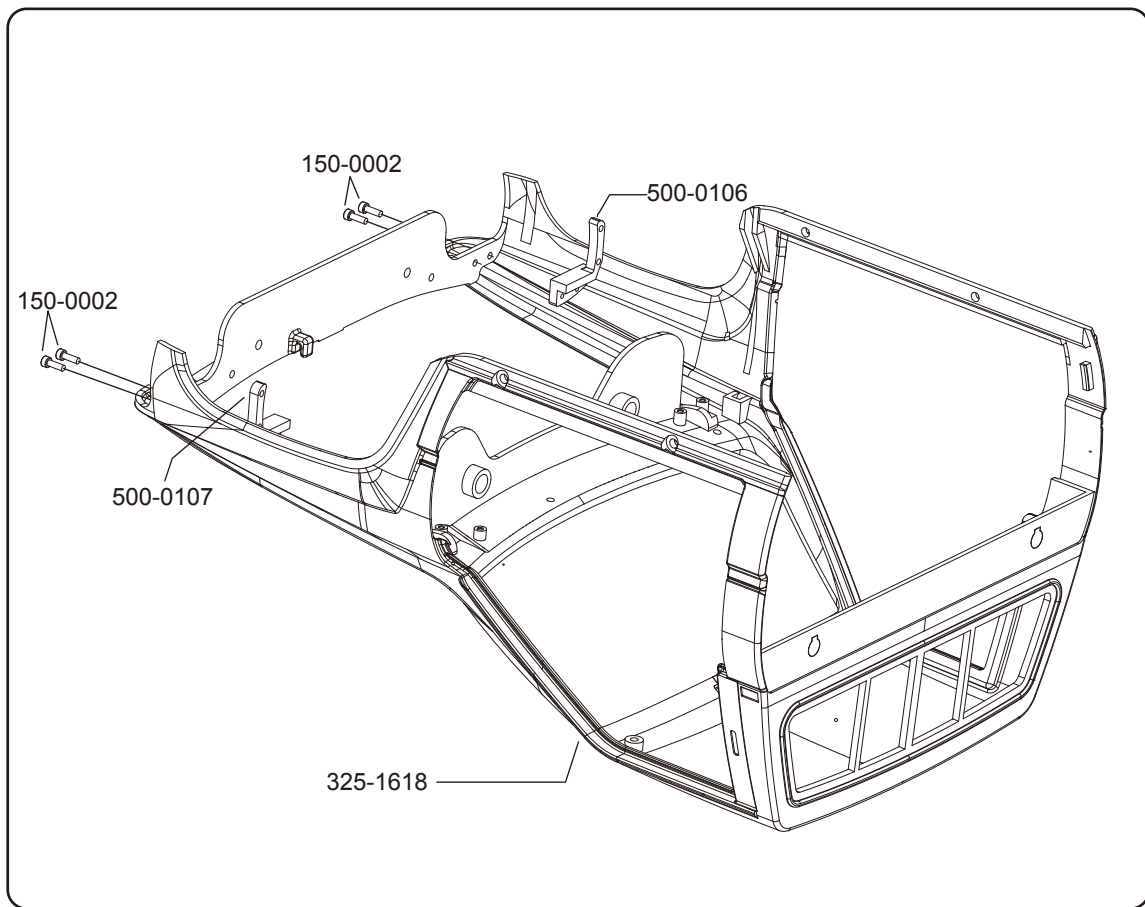
RC4WD
Step 7

 X4
150-0238
M2 x 6mm
Socket Head
Self Tapping Screws



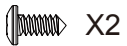
RC4WD
Step 8

 X4
150-0002
M2 x 4mm SHCS

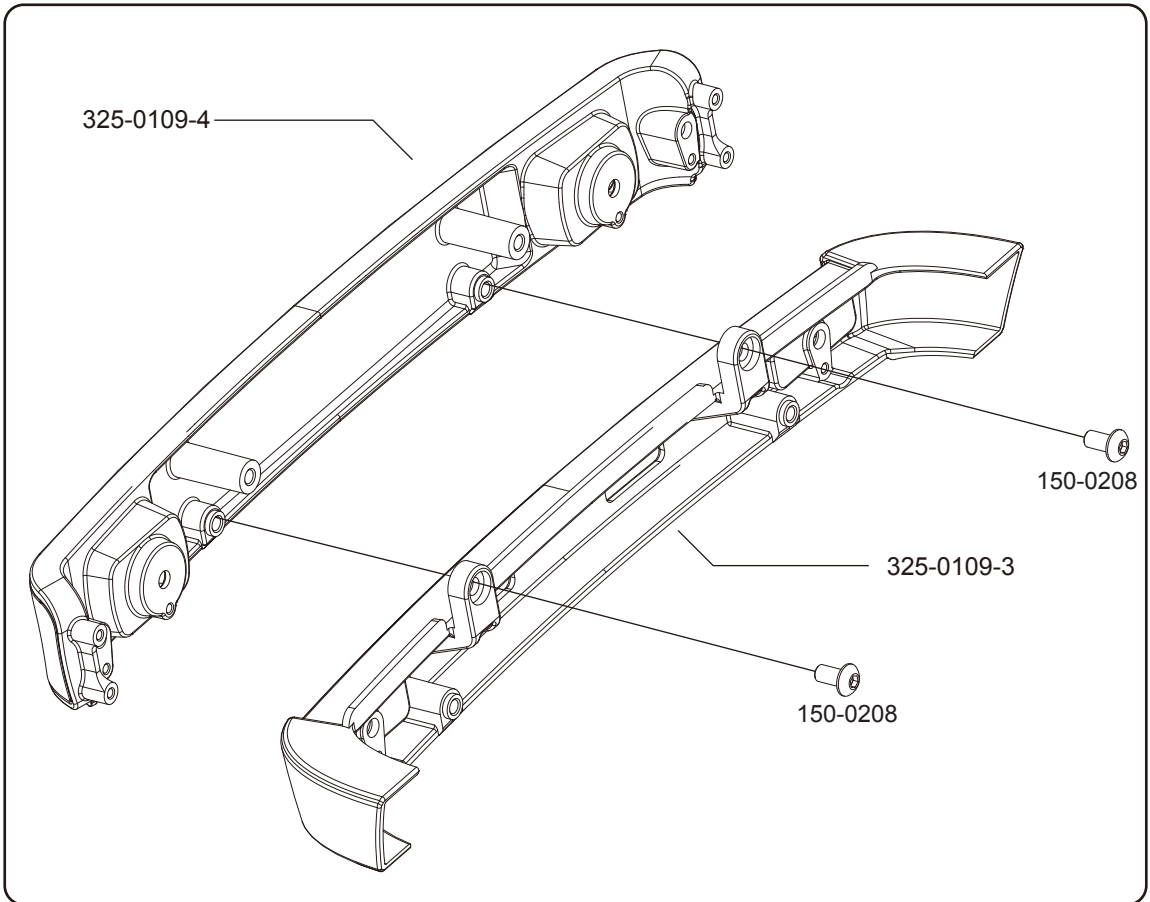


RC4WD

Step 9

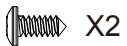


150-0208
M3 x 6mm
Button Head
Self Tapping Screws

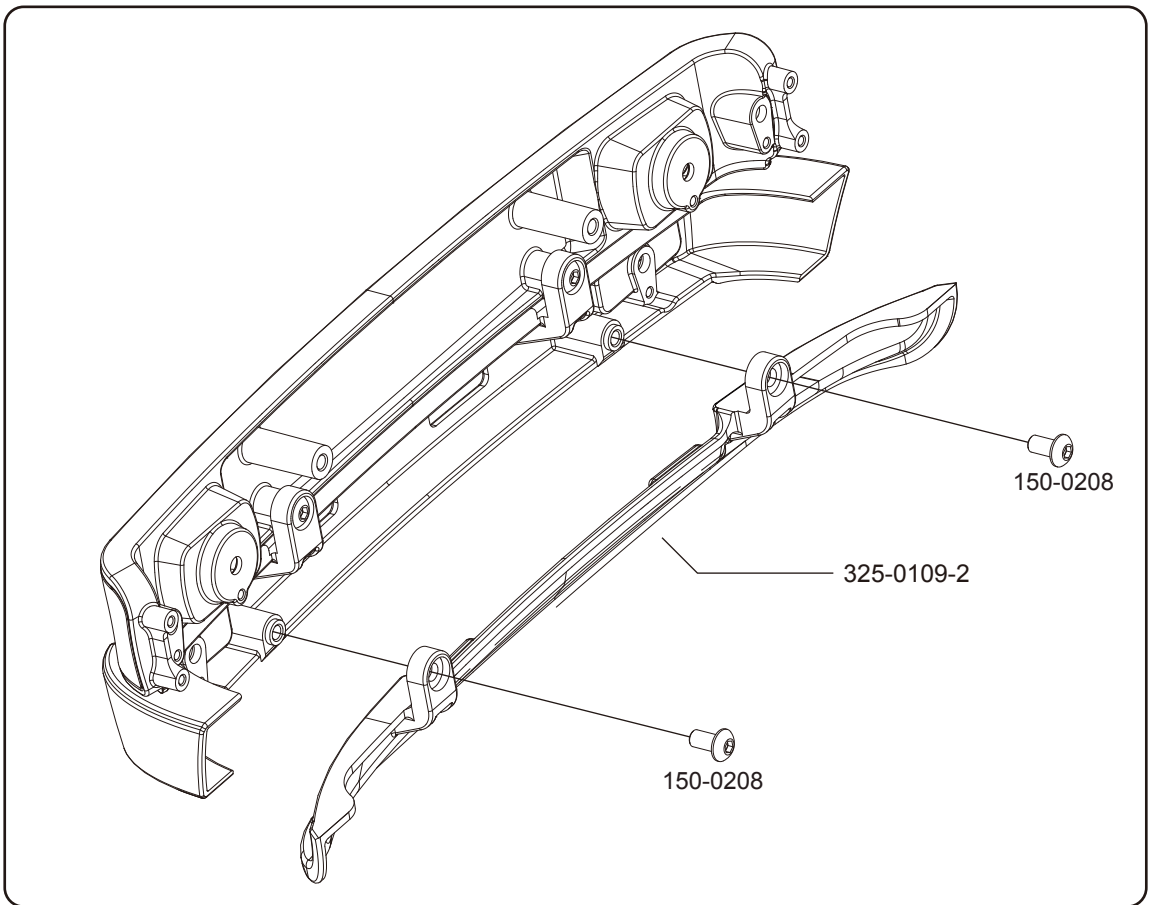


RC4WD

Step 10

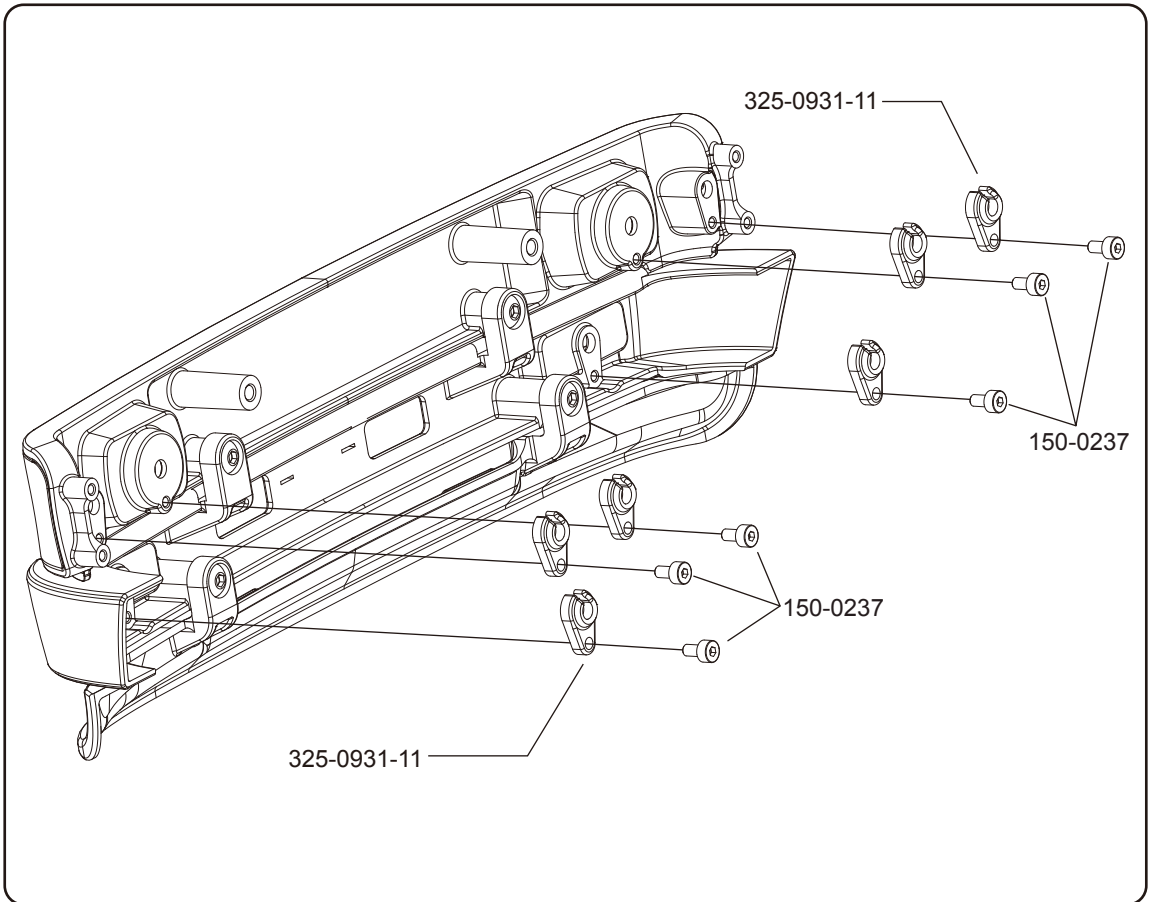


150-0208
M3 x 6mm
Button Head
Self Tapping Screws



RC4WD Step 11

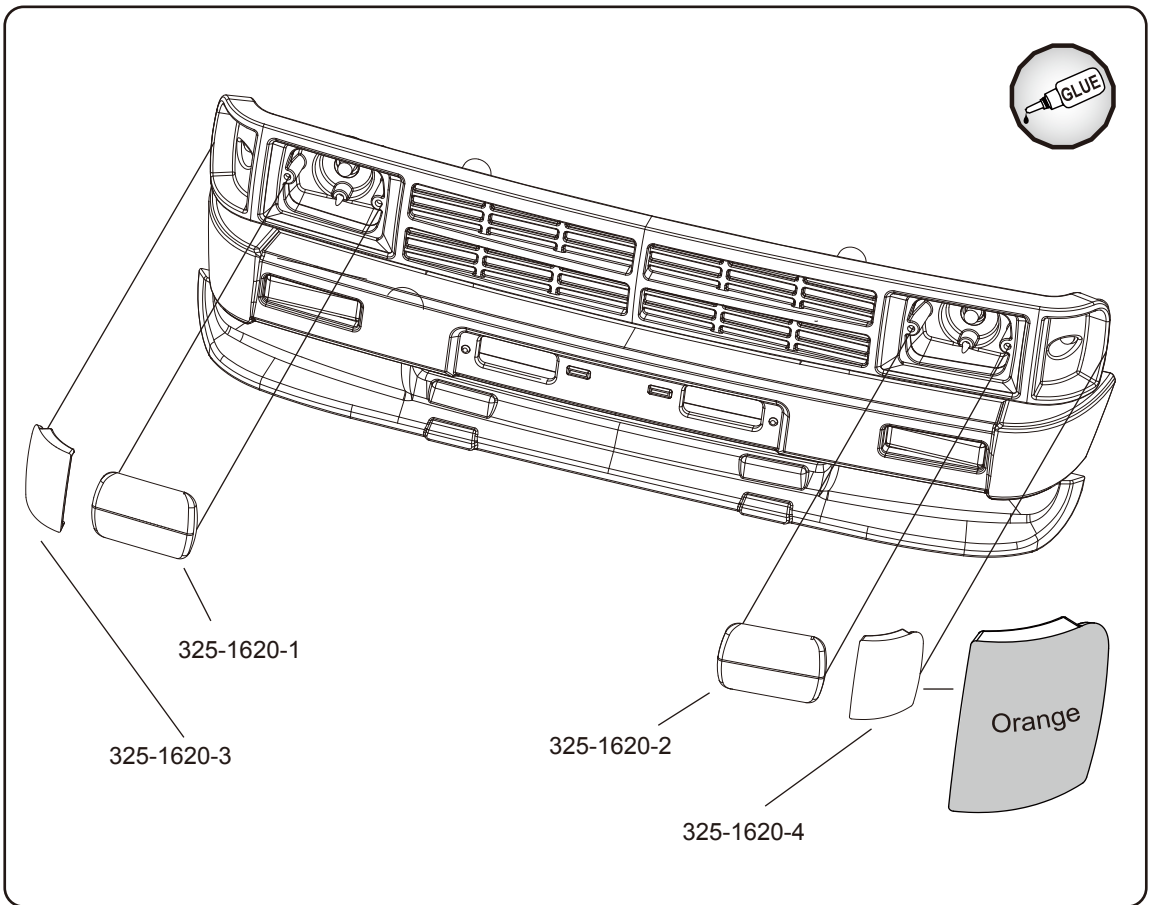
 X6
 150-0237
 M2 x 5mm
 Socket Head
 Self Tapping Screws



RC4WD Step 12

*Use styrene solvent glue or foam safe super glue.

*Use Tamiya Translucent Paint in the areas labeled with colors on the lights.



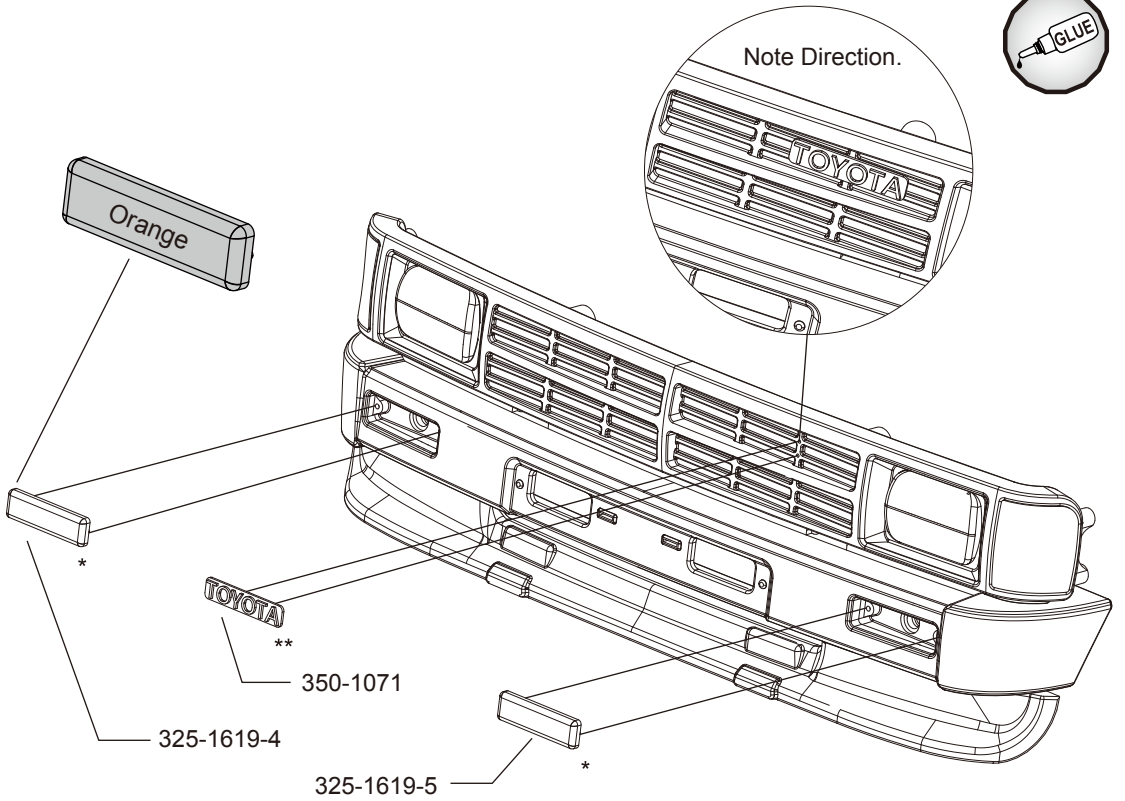
RC4WD

Step 13

*Use styrene solvent glue or foam safe super glue.

Use shoe goo or E6000 for emblem.

*Use Tamiya Translucent Paint in the areas labeled with colors on the lights.

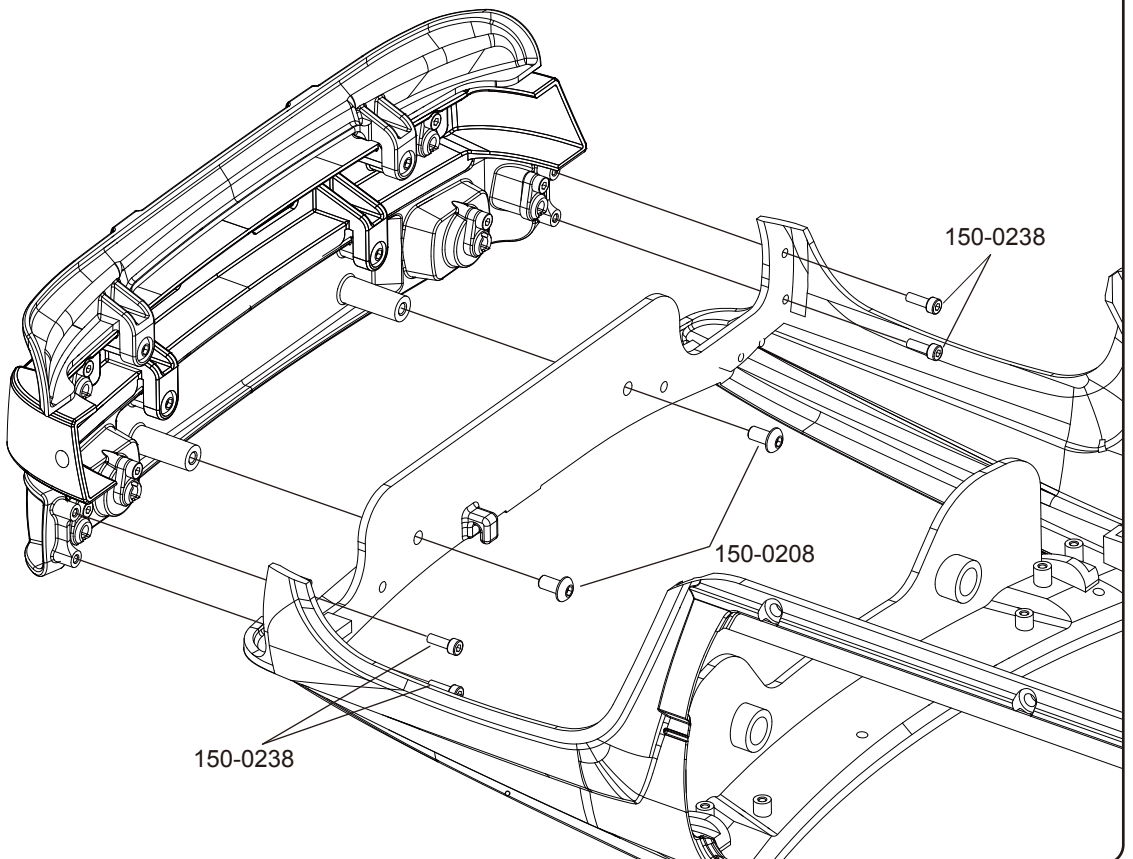


RC4WD

Step 14

 X2
150-0208
M3 x 6mm
Button Head
Self Tapping Screws

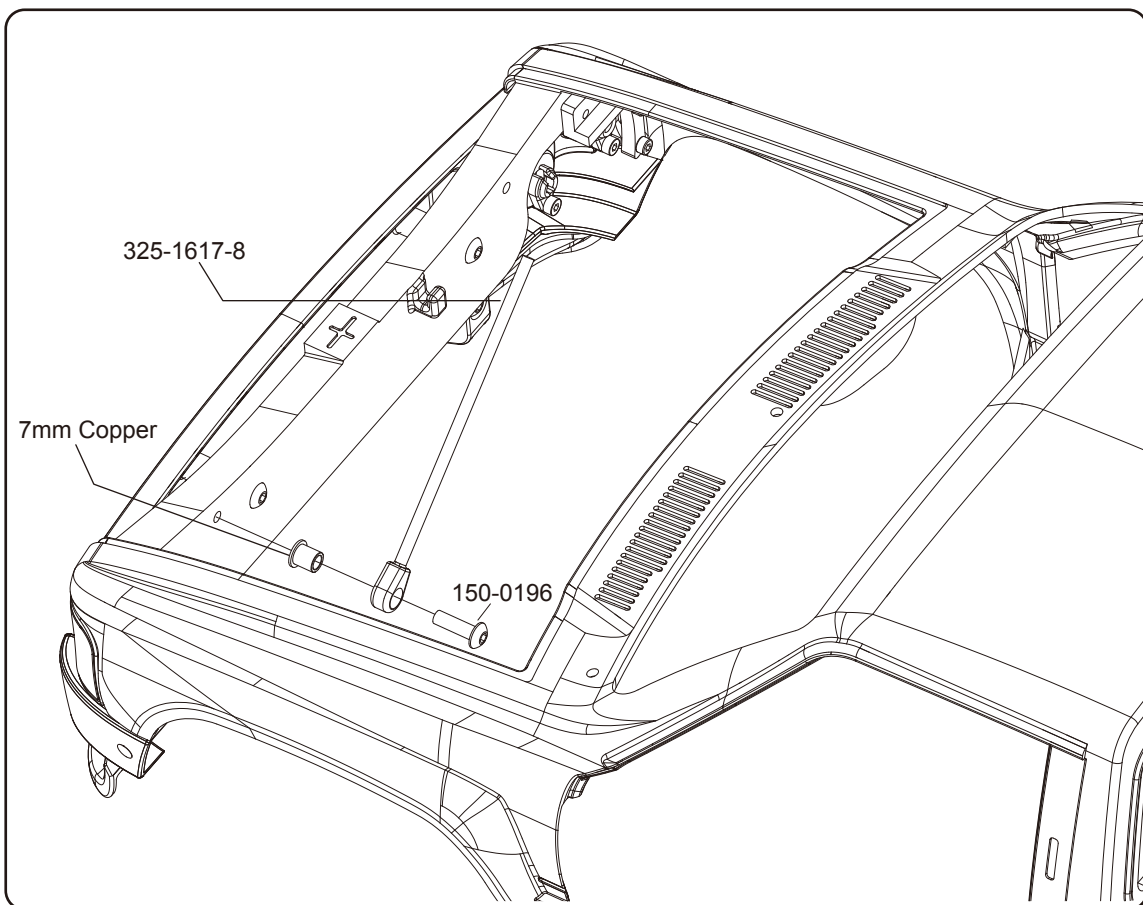
 X4
150-0238
M2 x 6mm
Socket Head
Self Tapping Screws



RC4WD

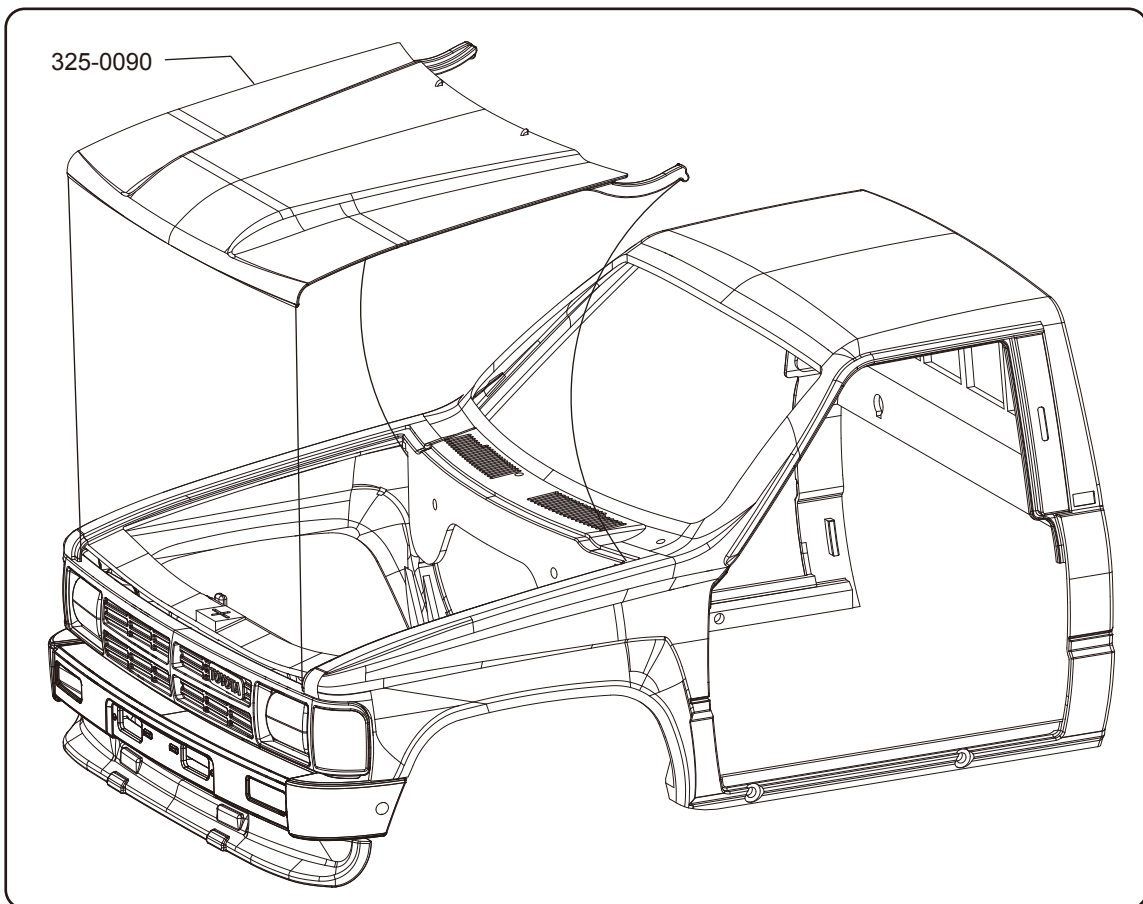
Step 15

 X1
150-0196
M3 x 10mm
Button Head
Self Tapping Screws



RC4WD

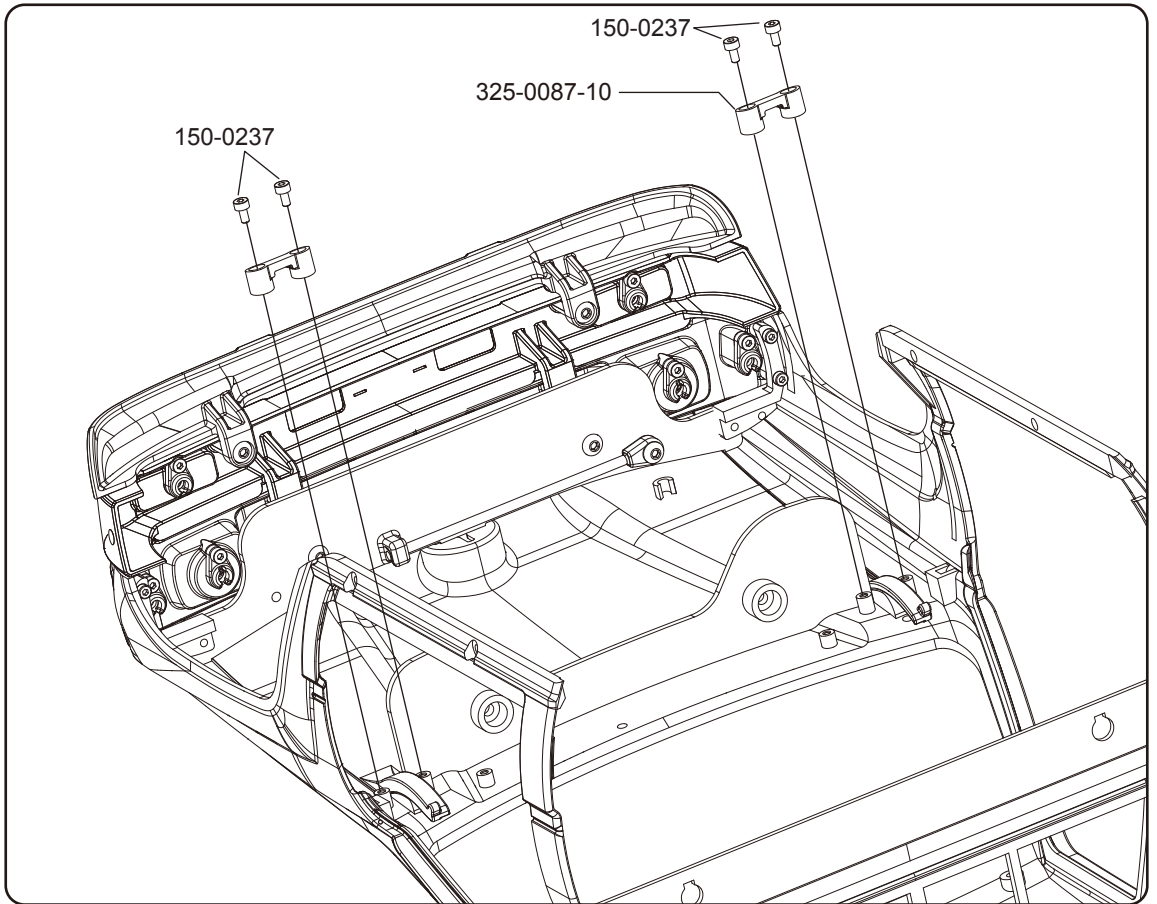
Step 16



RC4WD Step 17

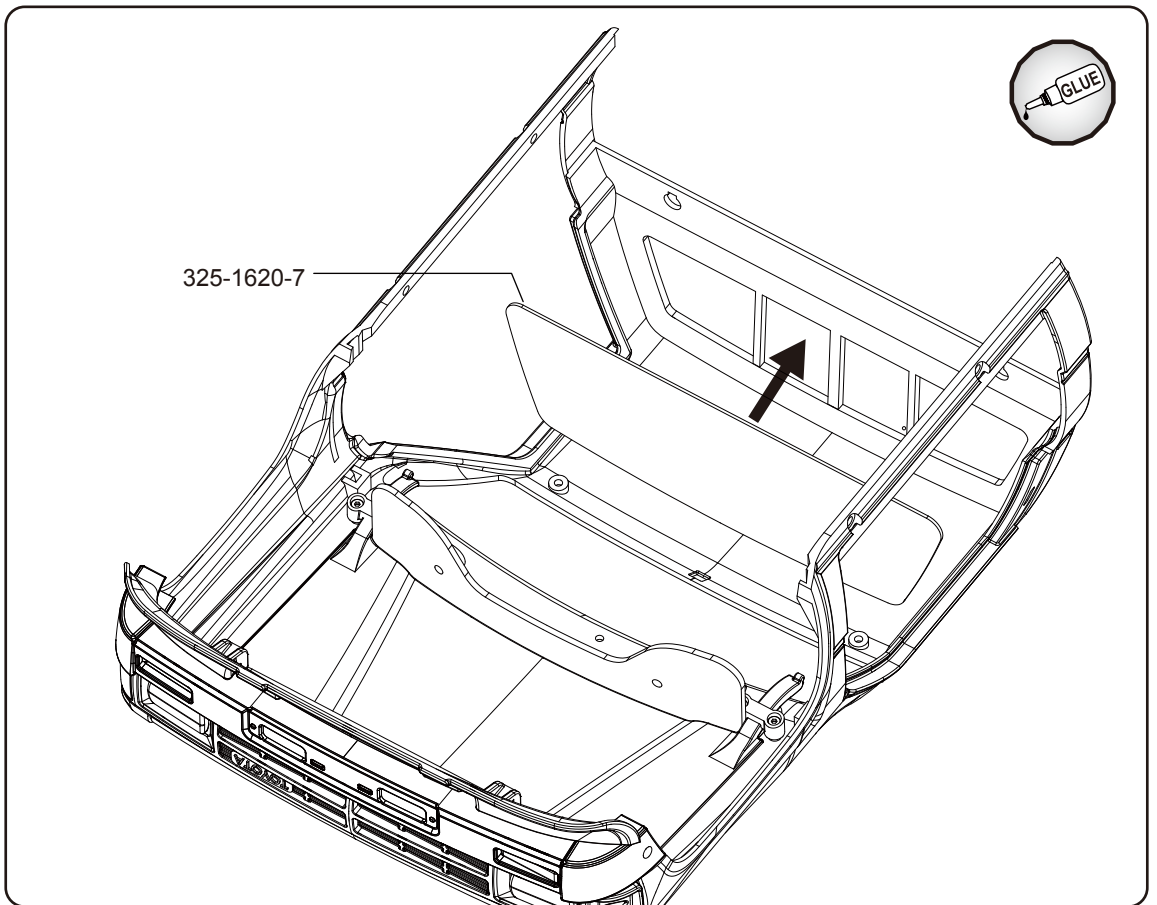
Do Not Overtighten
Screws.

 X4
150-0237
M2 x 5mm
Socket Head
Self Tapping Screws



RC4WD Step 18

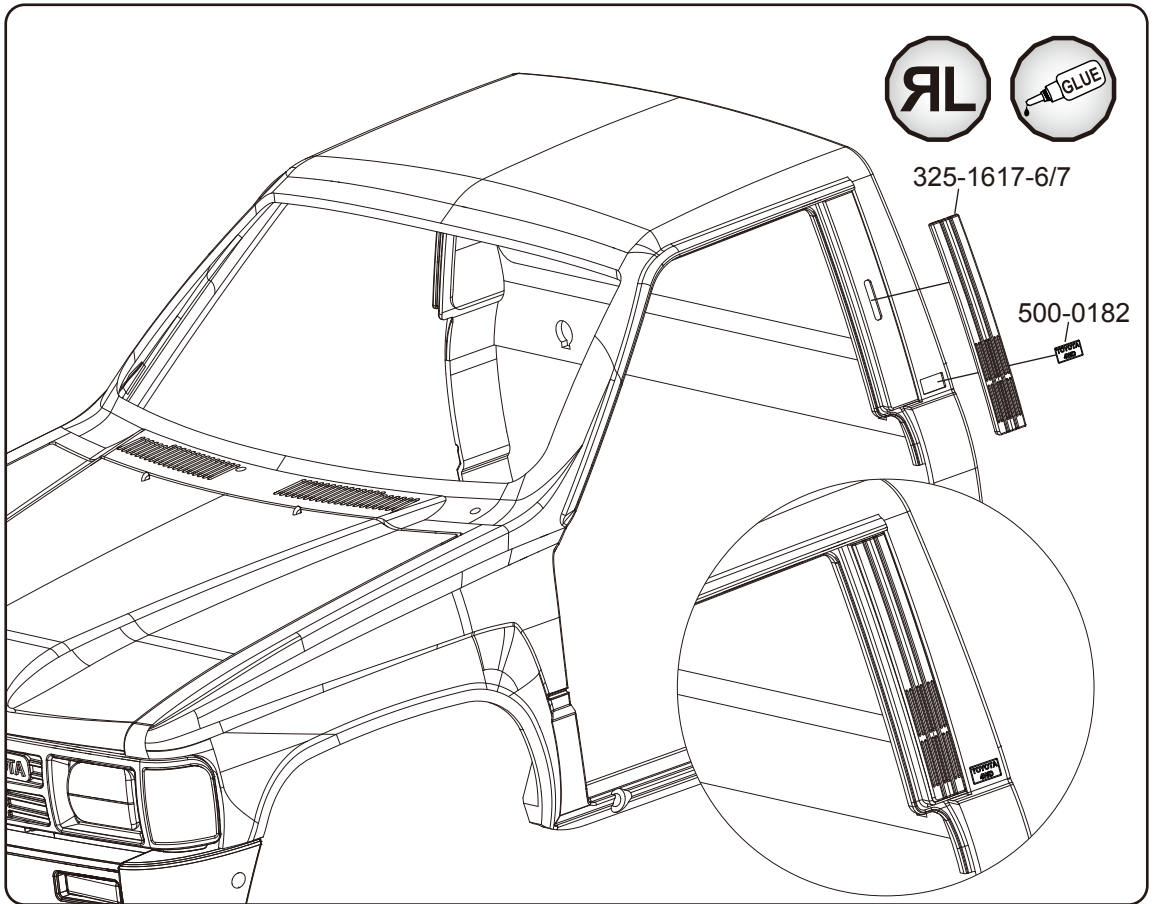
*Use styrene solvent
glue or foam safe
super glue.



RC4WD Step 19

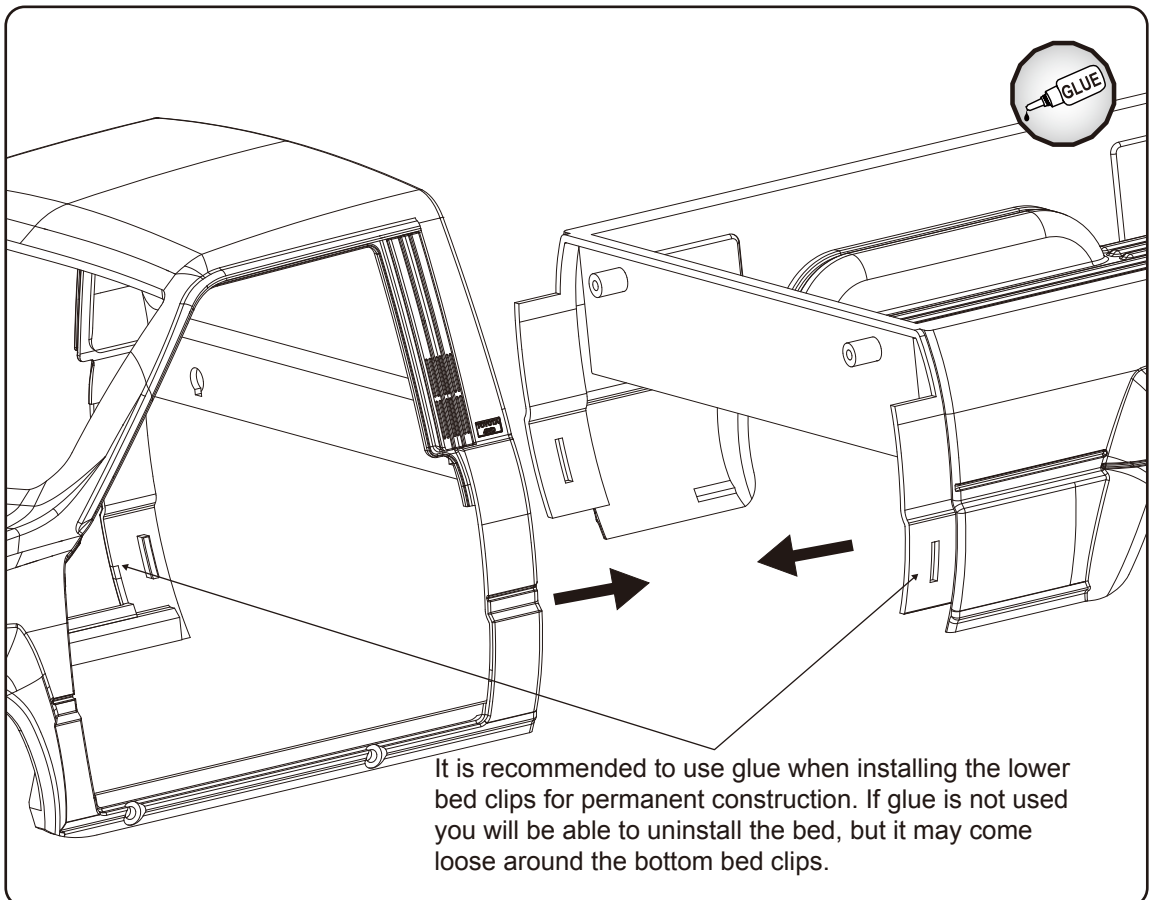
*Use styrene solvent glue or foam safe super glue.

Use shoe goo or E6000 for emblem.



RC4WD Step 20

*Use styrene solvent glue or foam safe super glue.

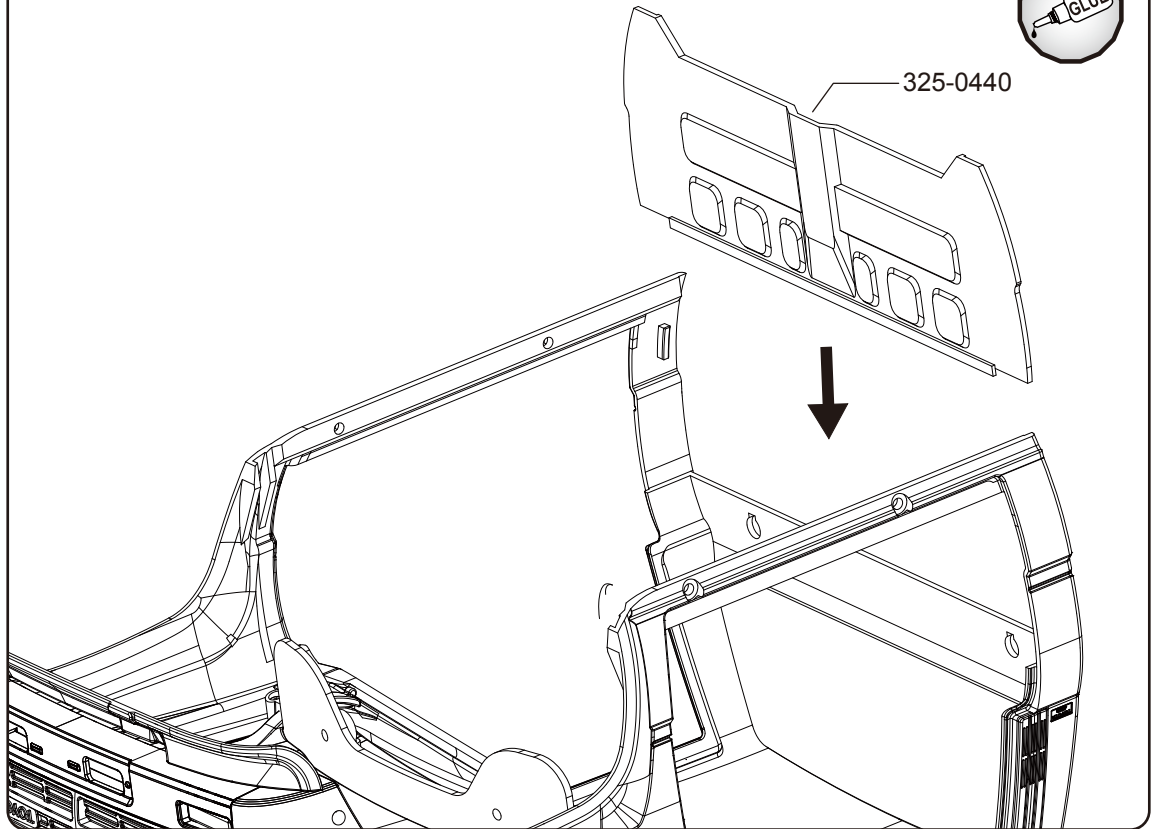


RC4WD Step 21

*Use styrene solvent glue or foam safe super glue.

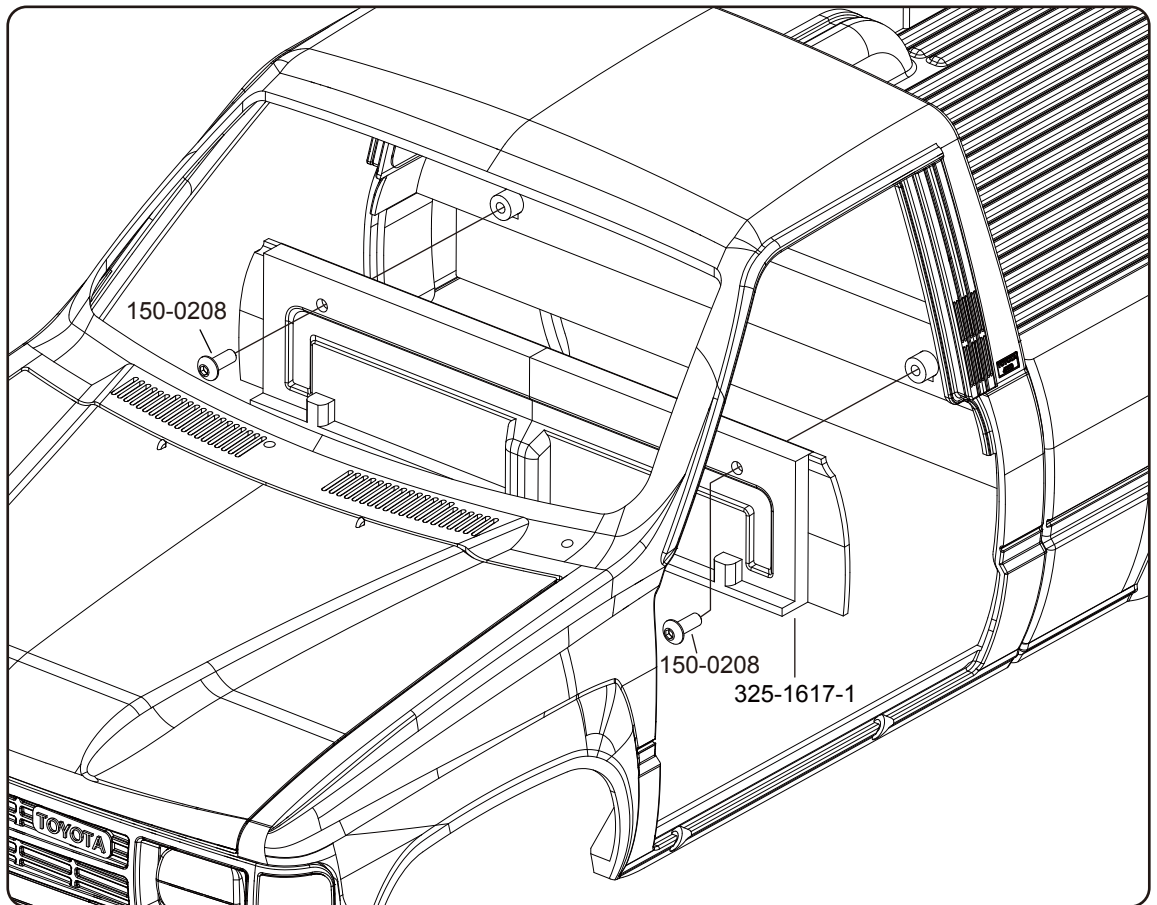
Install the Cab Back if not using the bed.

Installing optional Cab Back. Optional Cab Back can't be installed together with rear bed.



RC4WD Step 22

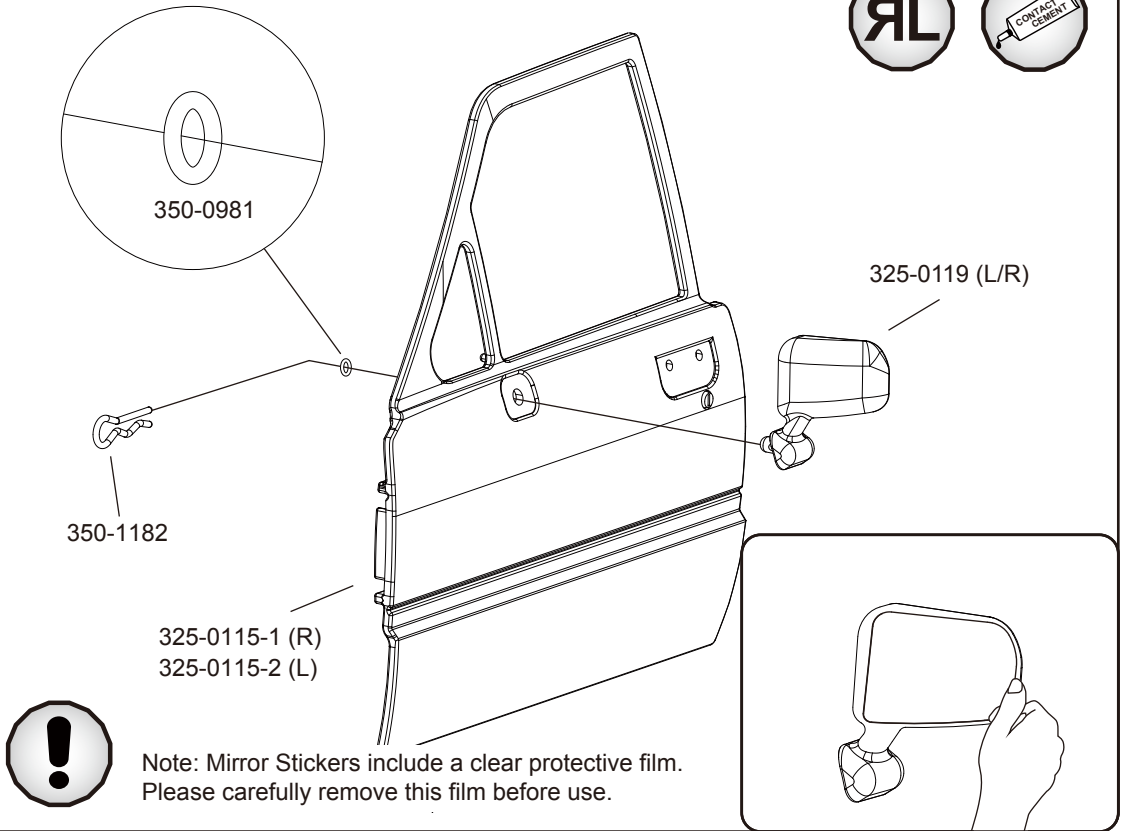
 X2
150-0208
M3 x 6mm
Button Head
Self Tapping Screws



RC4WD Step 23

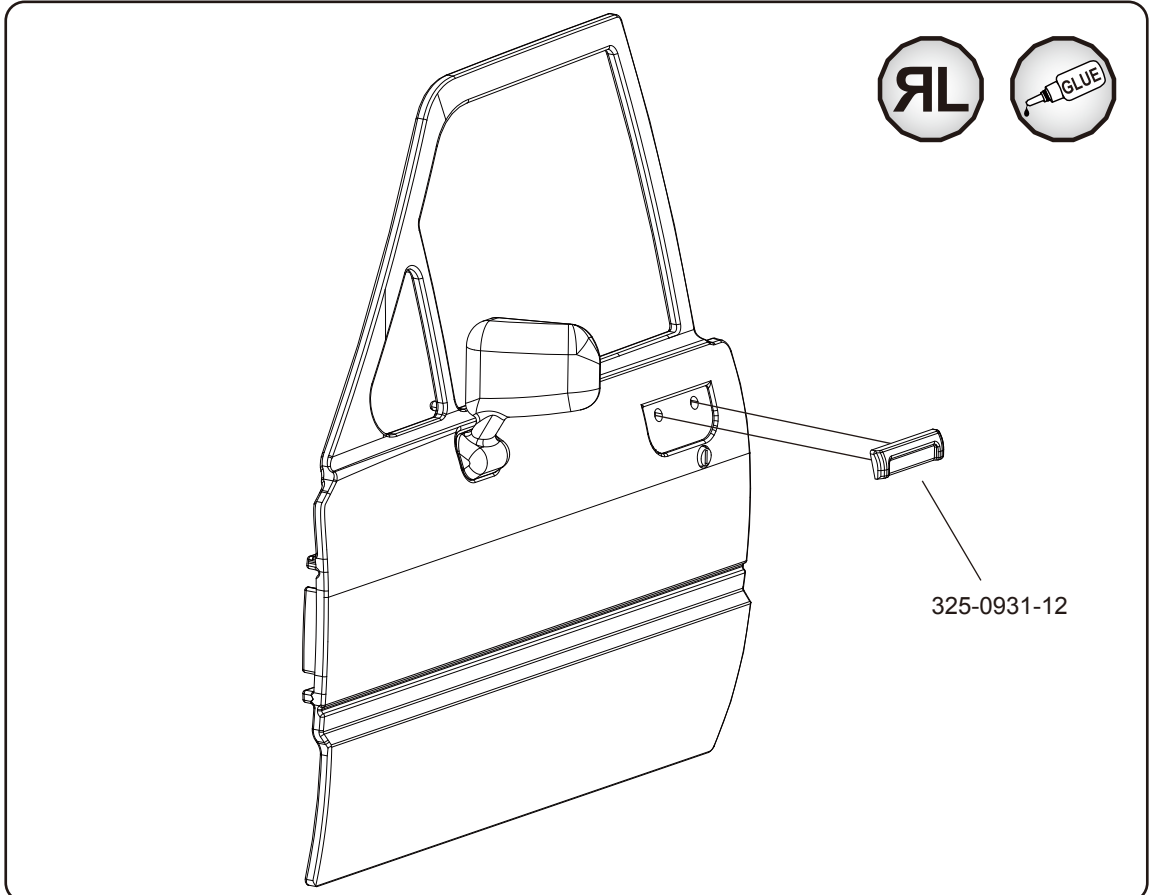
*Install Chrome Mirror Stickers 101-0074.

Apply a small amount of Contact Cement before adding the Mirror decal for a stronger bond.



RC4WD Step 24

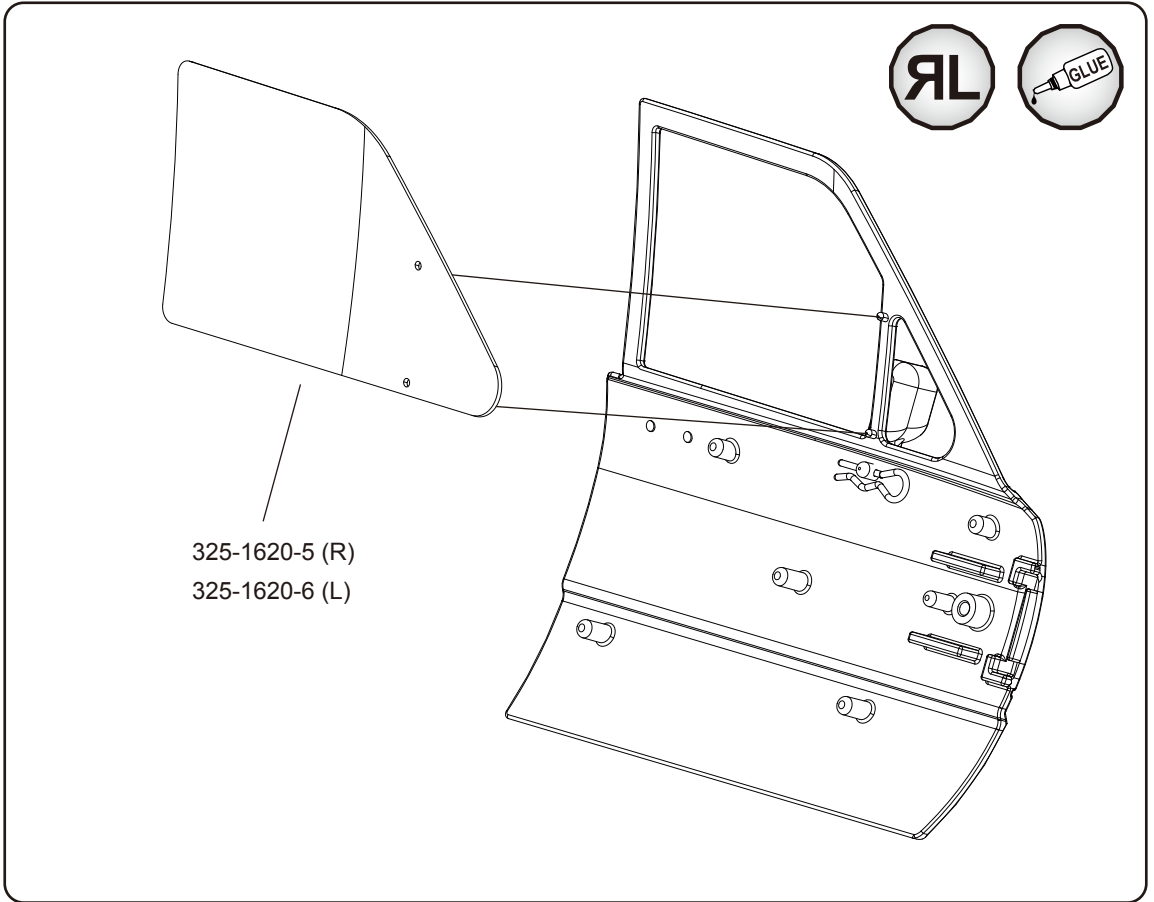
Use styrene solvent glue or foam safe super glue.



RC4WD

Step 25

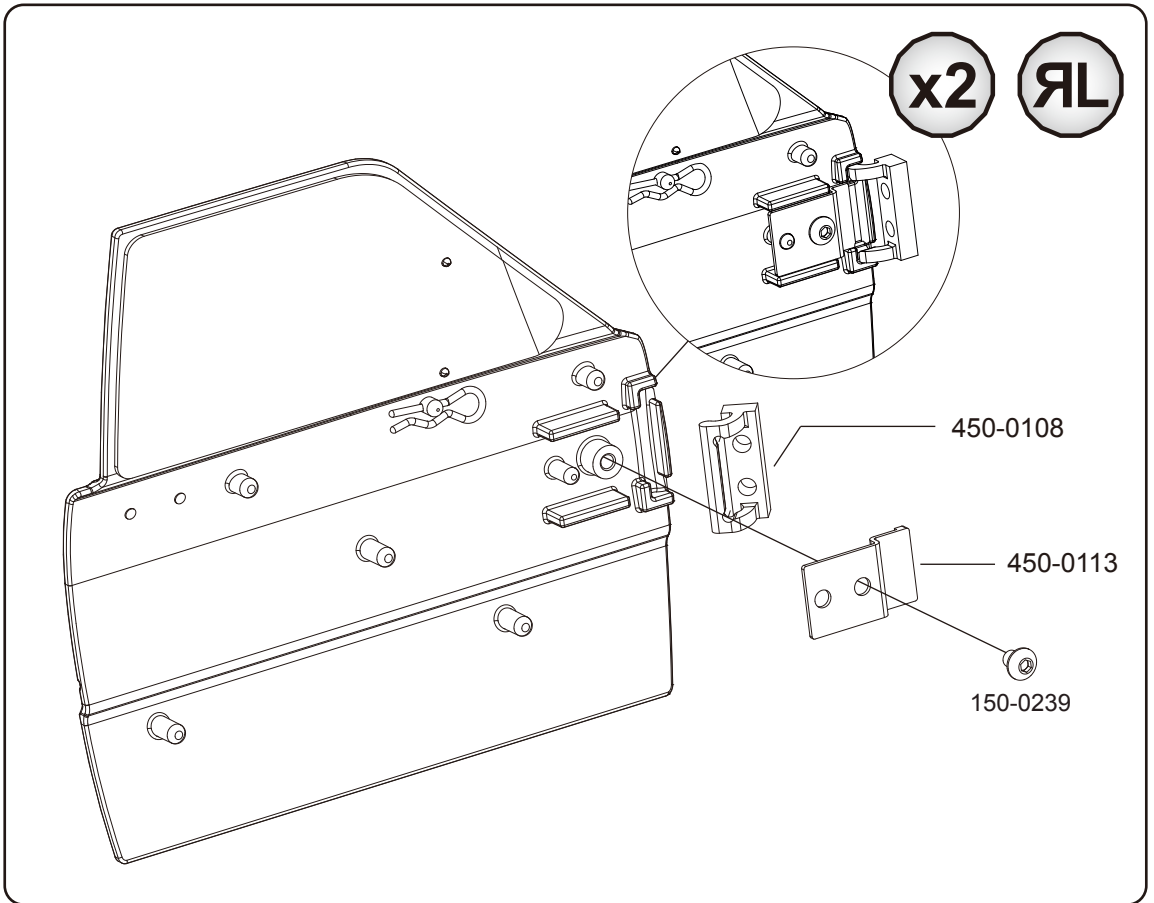
*Use styrene solvent glue or foam safe super glue.



RC4WD

Step 26

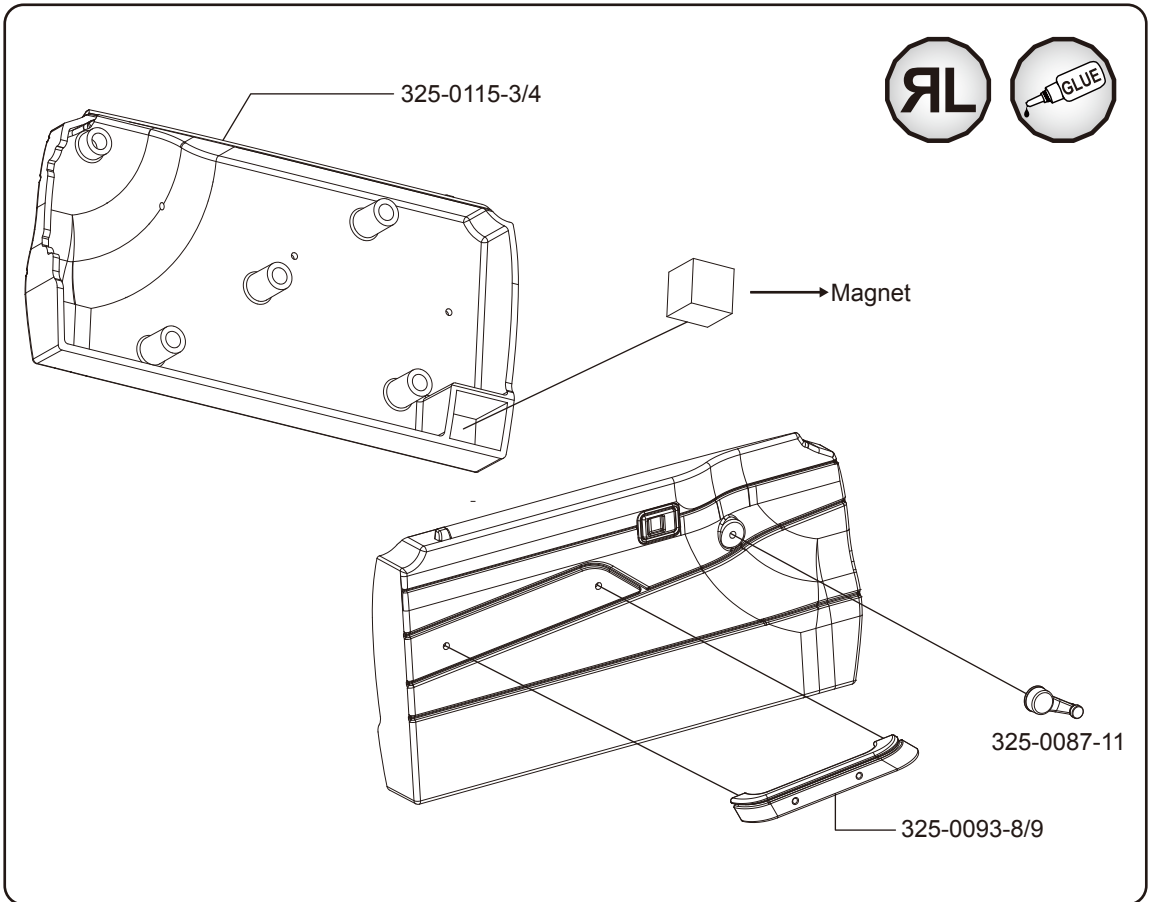
X2
150-0239
M3 x 4mm
Button Head
Self Tapping Screws



RC4WD Step 27

*Use styrene solvent glue or foam safe super glue for the door panel details.

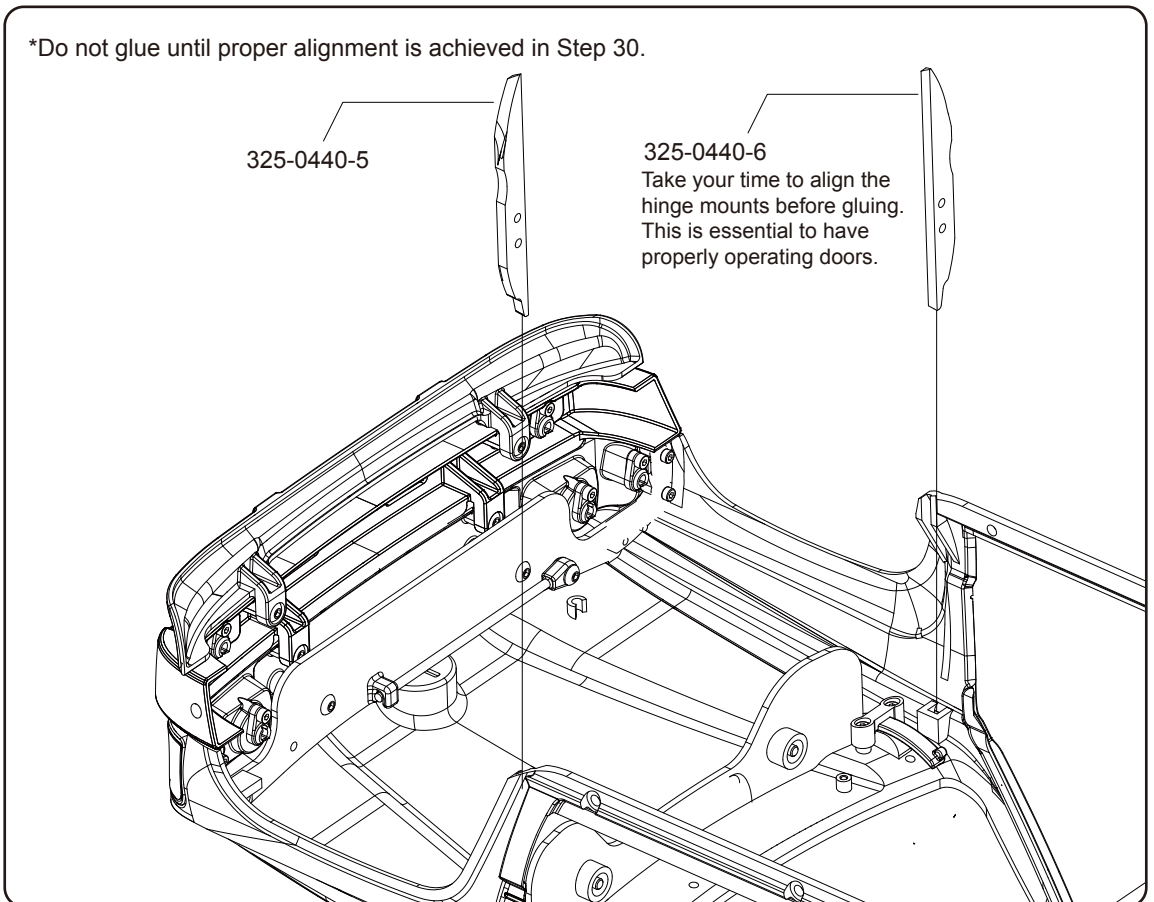
Use shoe goo or E6000 for the magnet.



RC4WD Step 28

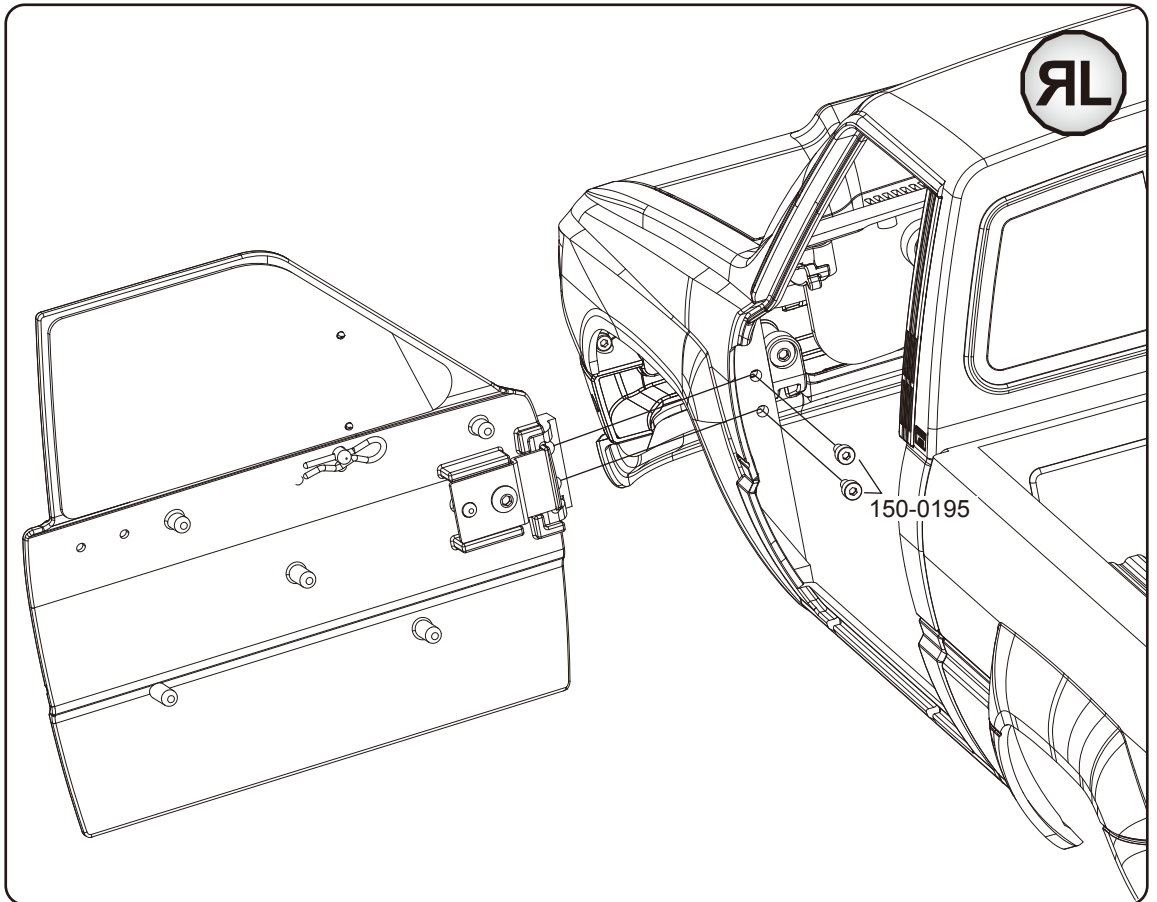
*Use 2 part epoxy or E6000 to glue the hinge mounts in place.

*Do not glue until proper alignment is achieved in Step 30.



RC4WD Step 29

 X4
150-0195
M3 x 8mm
Button Head
Self Tapping Screws



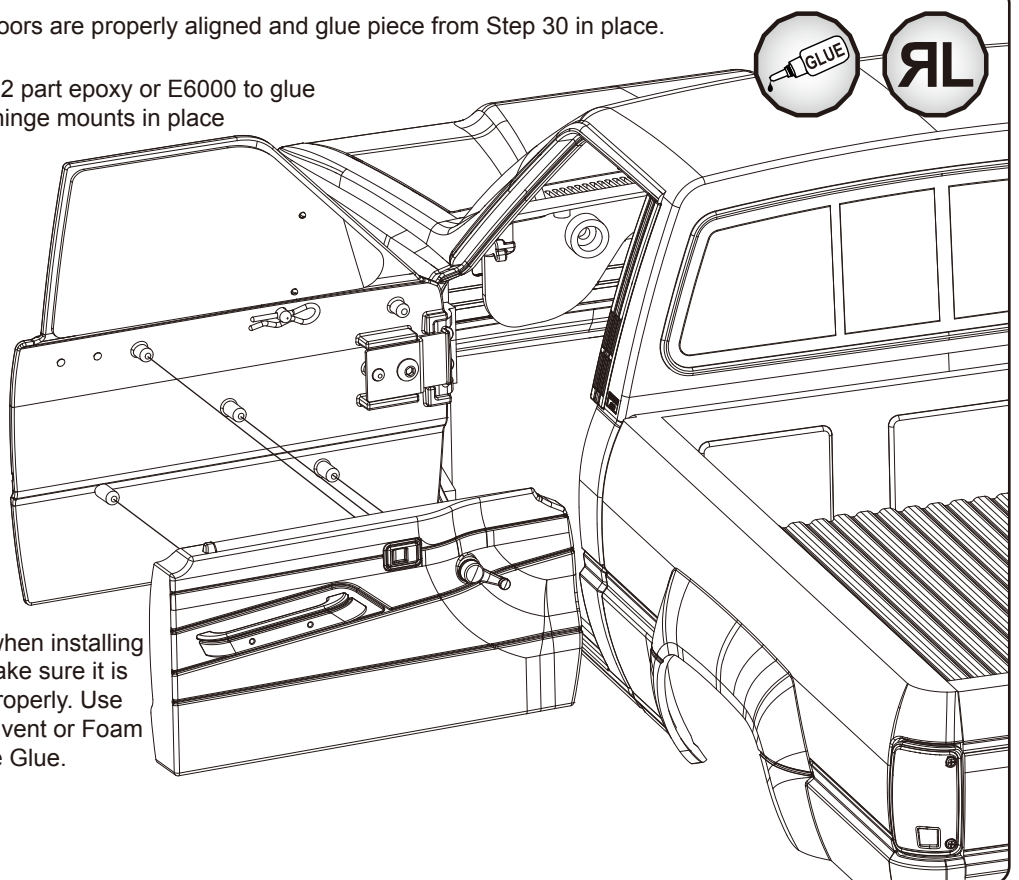
RC4WD Step 30

*Recommend styrene solvent glue or Foam Safe Super Glue for the inner door panels.

*Assure doors are properly aligned and glue piece from Step 30 in place.

Use 2 part epoxy or E6000 to glue the hinge mounts in place

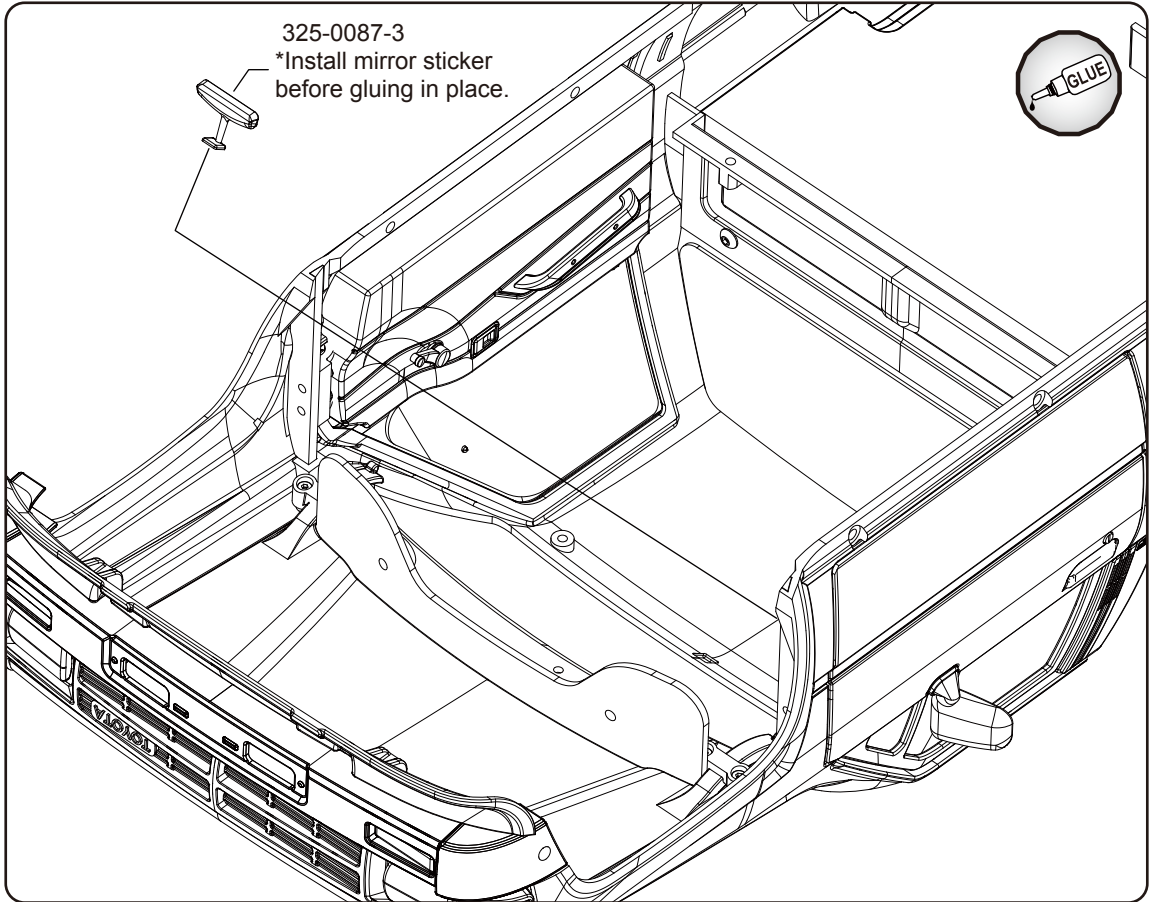
Take care when installing door to make sure it is aligned properly. Use Styrene Solvent or Foam Safe Glue.



RC4WD Step 31

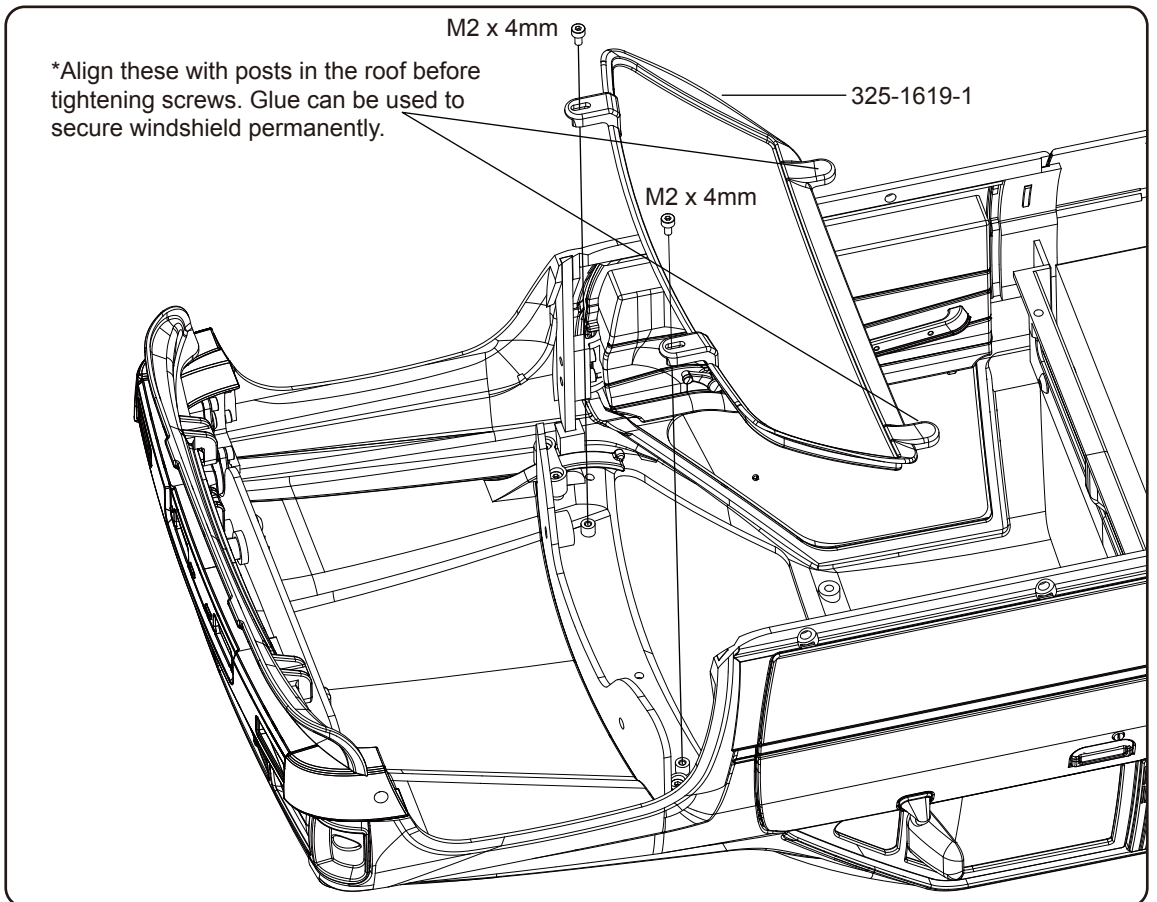
*Use styrene solvent glue or foam safe super glue.

*Install Chrome Mirror Stickers 101-0074.



RC4WD Step 32

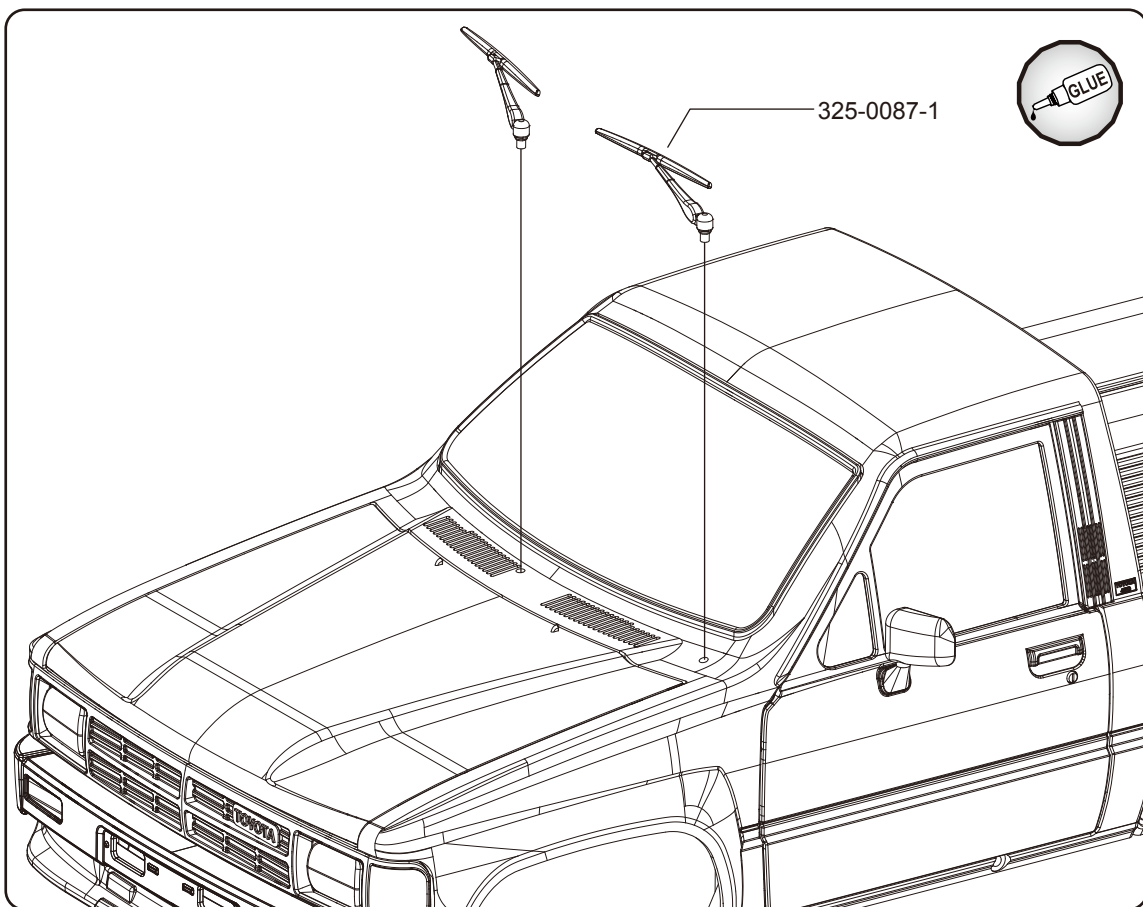
 X2
M2 x 4mm
Socket Head Self
Tapping Screws



RC4WD

Step 33

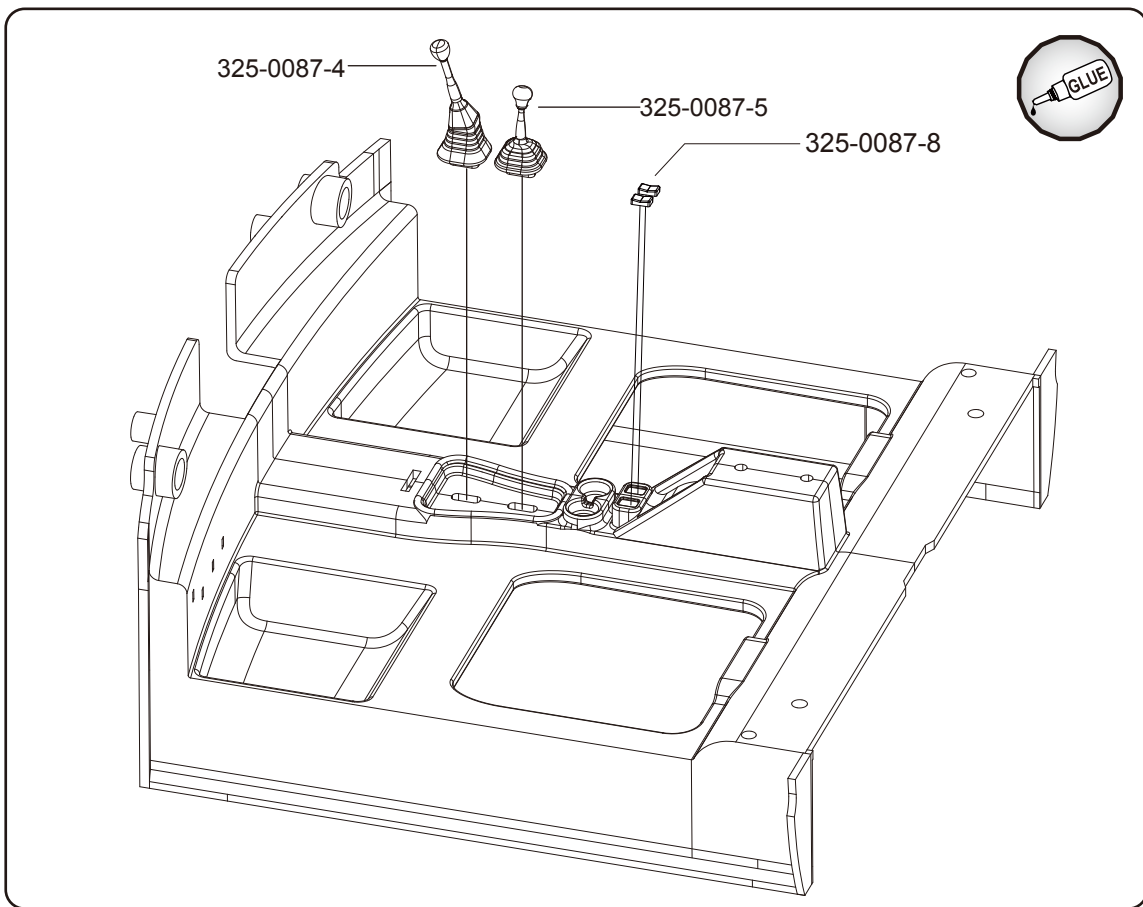
*Use styrene solvent glue or foam safe super glue.



RC4WD

Step 34

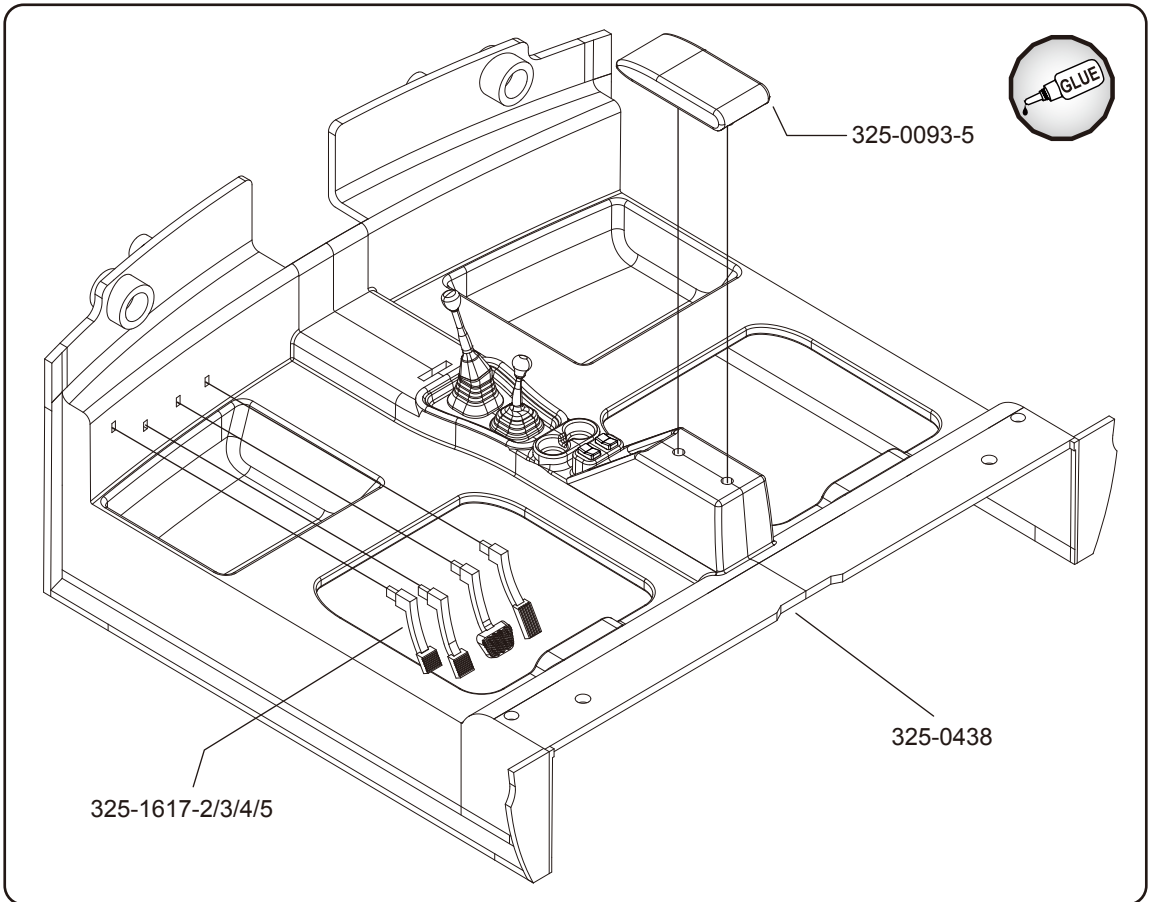
*Use styrene solvent glue or foam safe super glue.



RC4WD

Step 35

*Use styrene solvent glue or foam safe super glue.

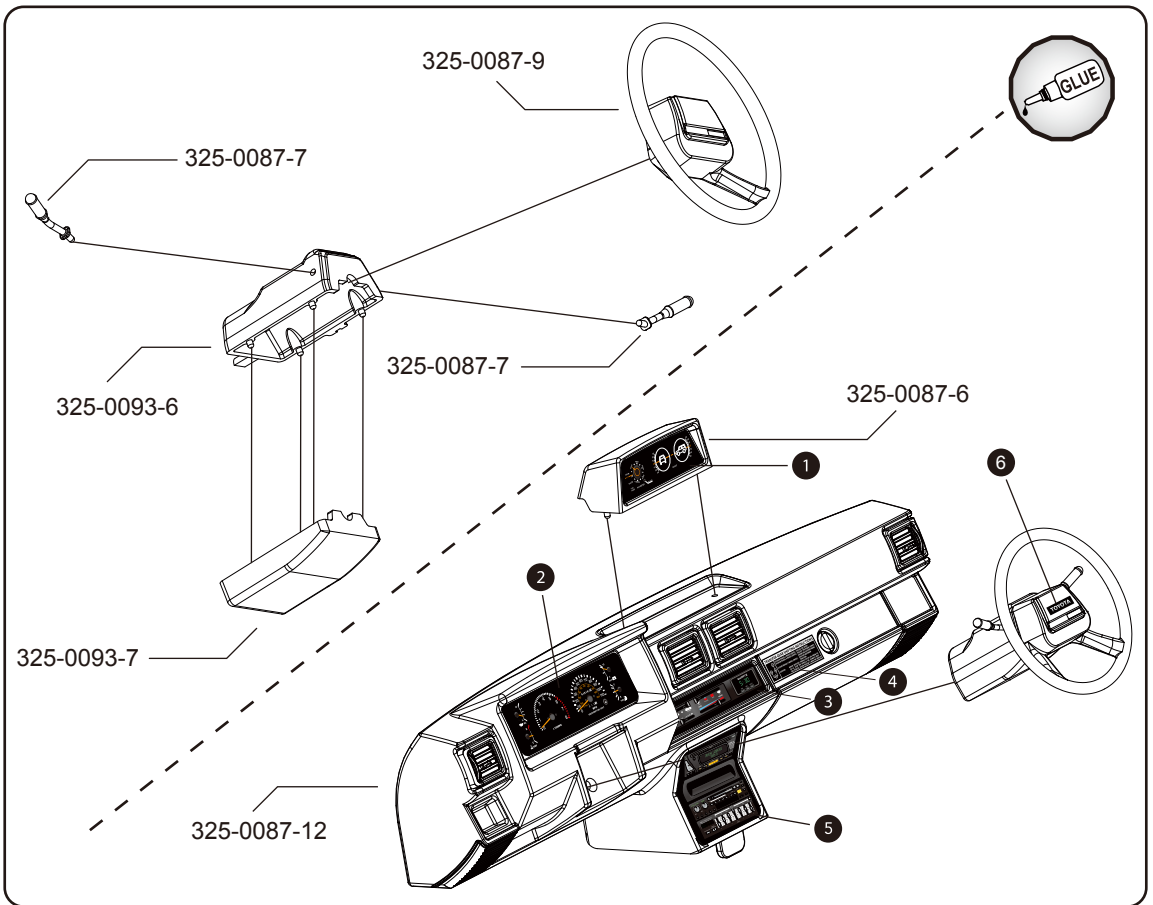


RC4WD

Step 36

*Use styrene solvent glue or foam safe super glue.

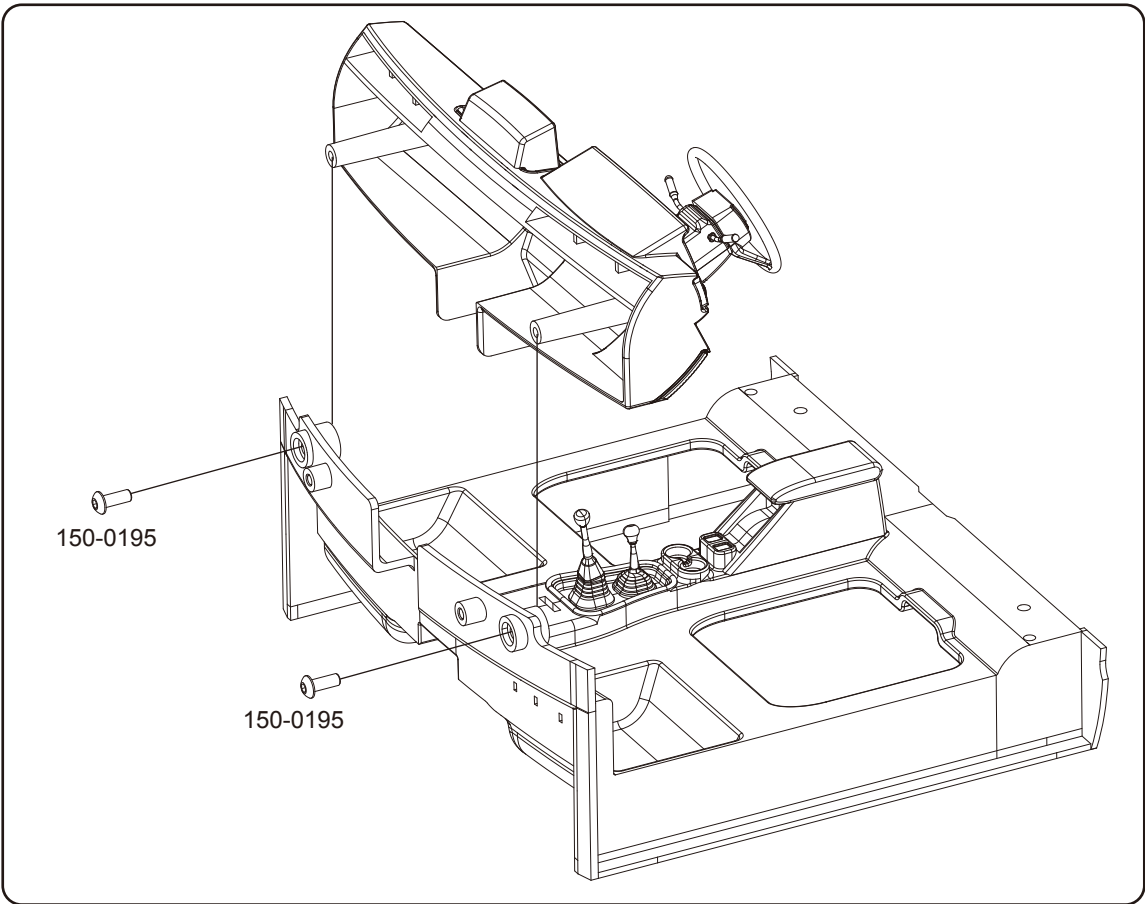
*Note installation of dashboard stickers.



RC4WD

Step 37

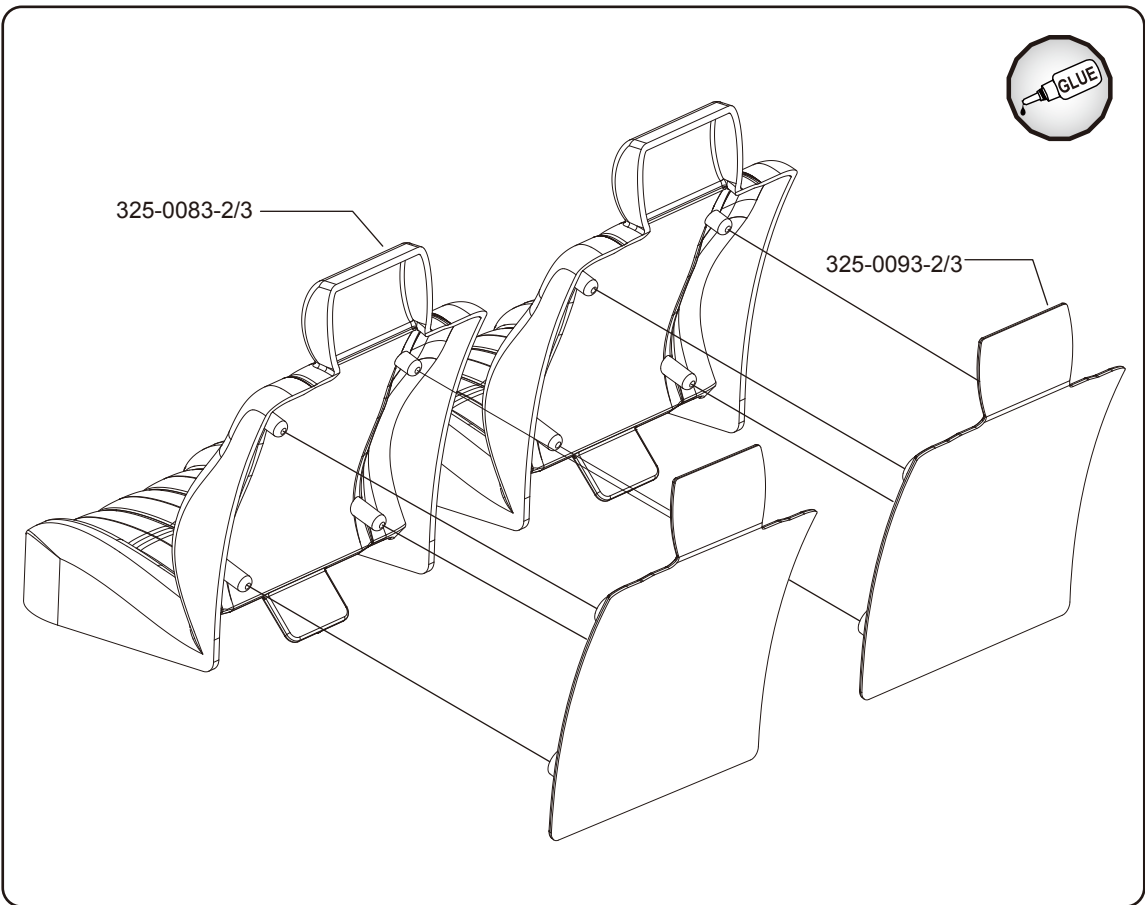
 X2
150-0195
M3 x 8mm
Button Head
Self Tapping Screws



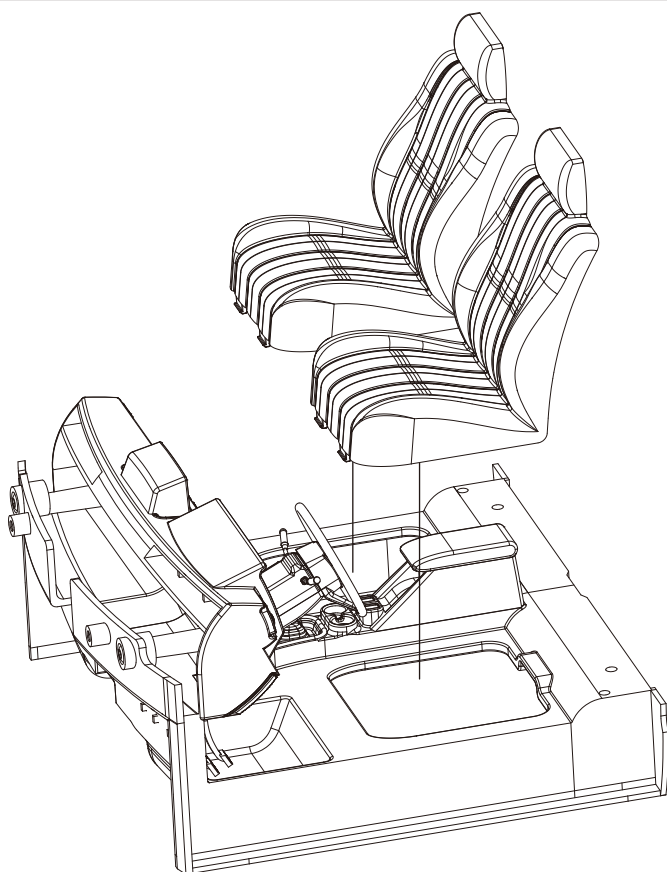
RC4WD

Step 38


*Use styrene solvent glue or foam safe super glue.

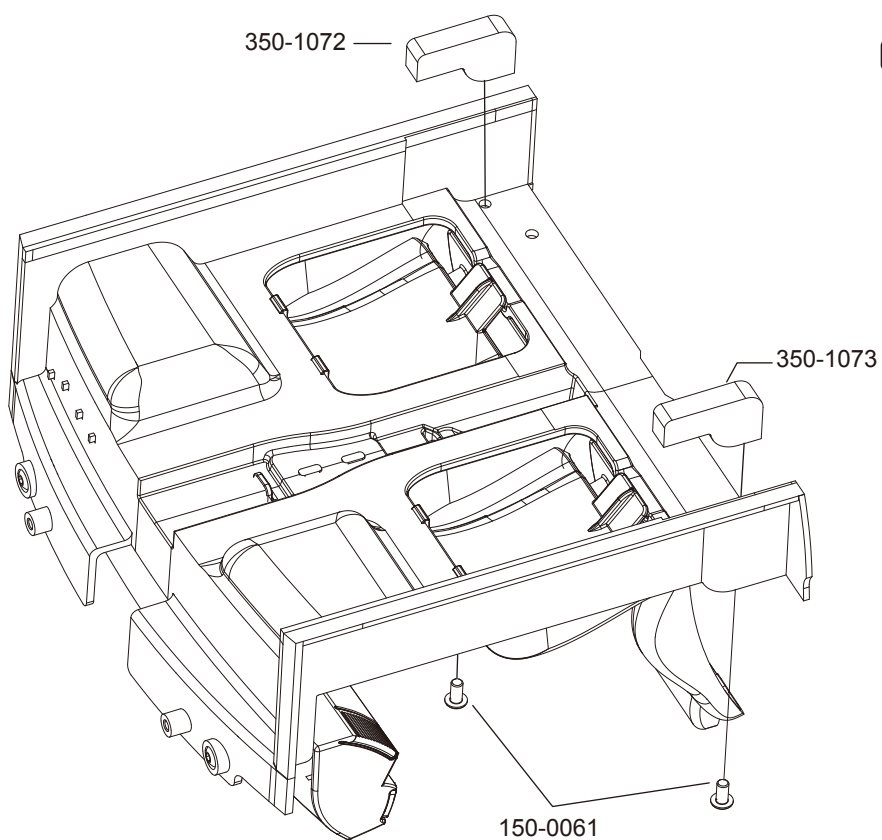


RC4WD
Step 39



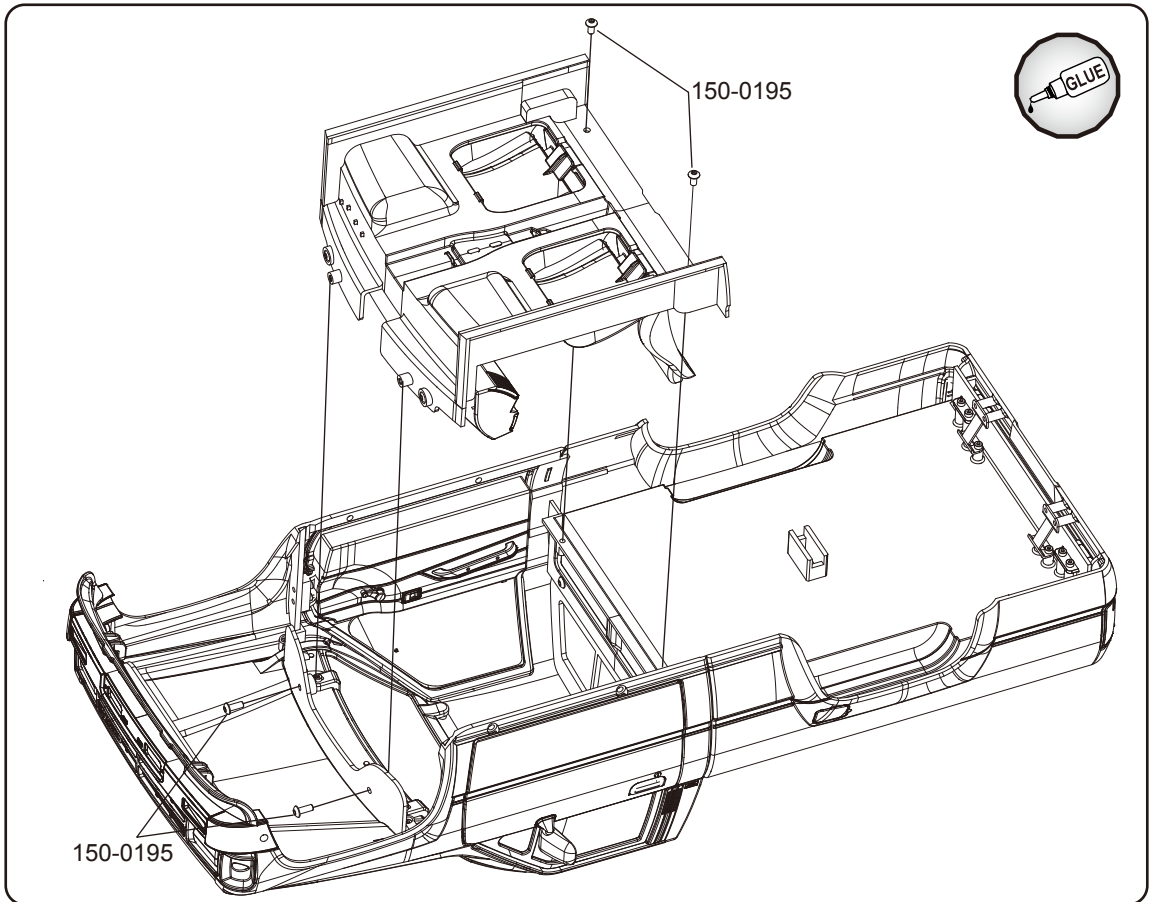
RC4WD
Step 40

 X2
150-0061
M3 x 6mm BHCS



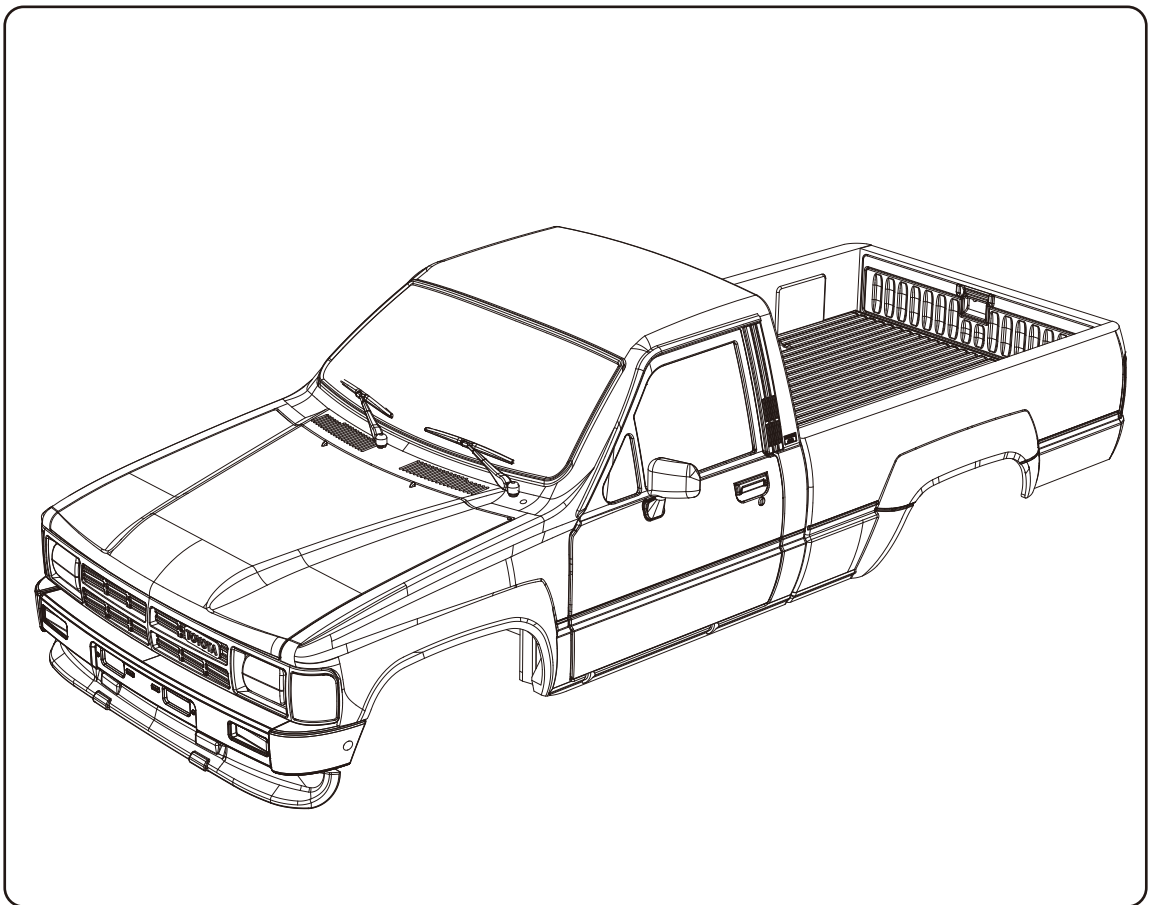
RC4WD Step 41

 X4
150-0195
M3 x 8mm
Button Head
Self Tapping Screws



RC4WD Step 42

Installation complete.



RC4WD Step 43



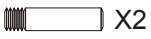
X4

150-0063
M3 x 10mm
Button Head
Cap Screw



X2

150-0099
M3 x 6mm
Flat Head Cap Screw

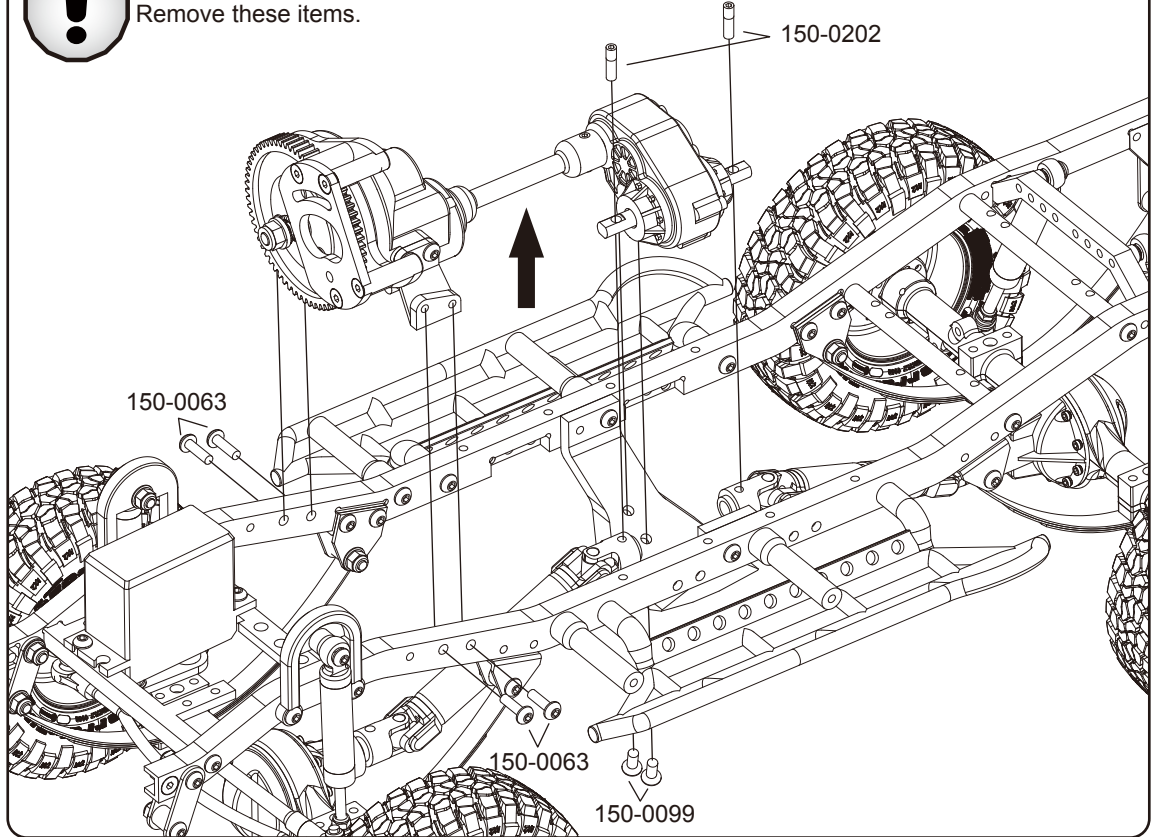


X2

150-0202
M3 Drive Shaft Pin



This step is required to install body set on a RWB Trail Finder 2 Chassis.
Remove these items.



RC4WD Step 44



X2

BHSTS
M3 x 14mm

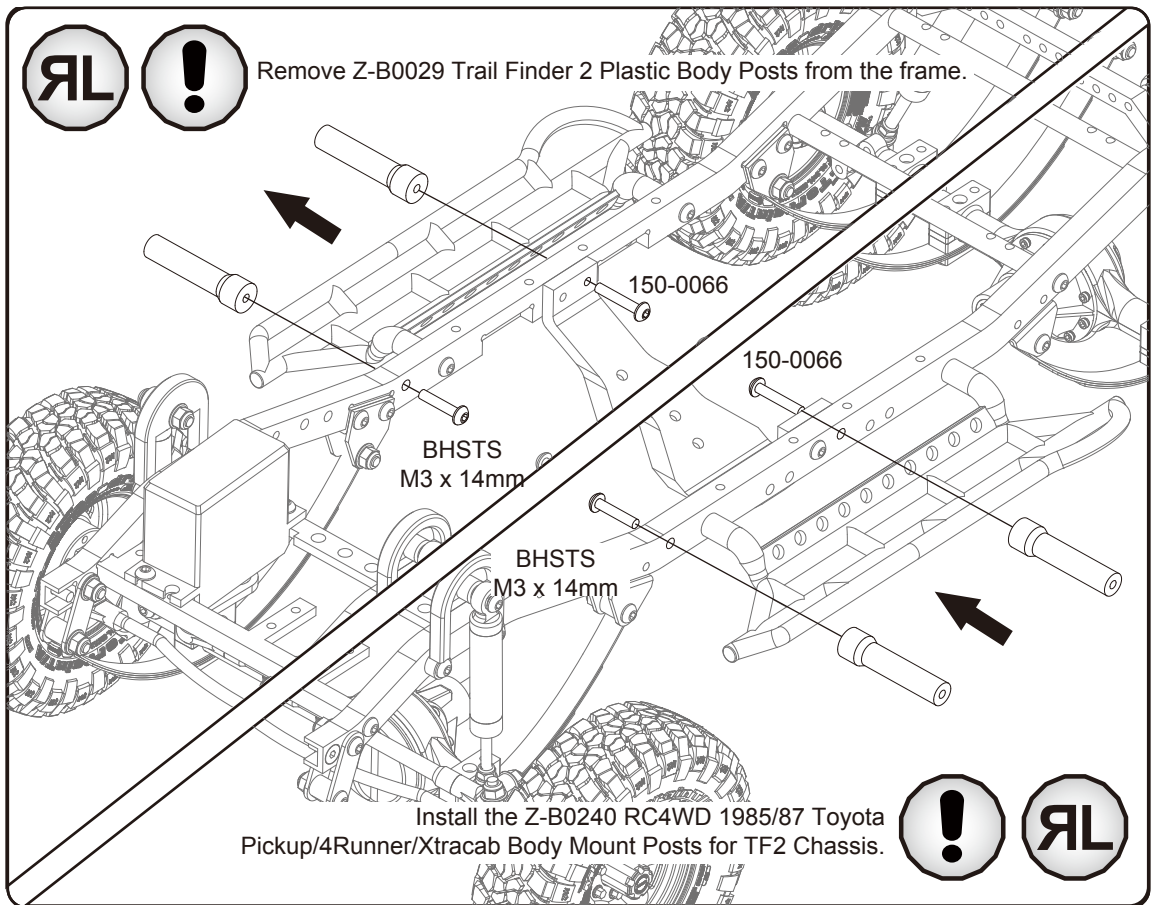


X2

150-0066
M3 x 16mm BHCS



Remove Z-B0029 Trail Finder 2 Plastic Body Posts from the frame.



Install the Z-B0240 RC4WD 1985/87 Toyota
Pickup/4Runner/Xtracab Body Mount Posts for TF2 Chassis.



RC4WD Step 45



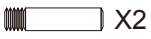
X4

150-0063
M3 x 10mm
Button Head
Cap Screw



X2

150-0099
M3 x 6mm
Flat Head Cap Screw

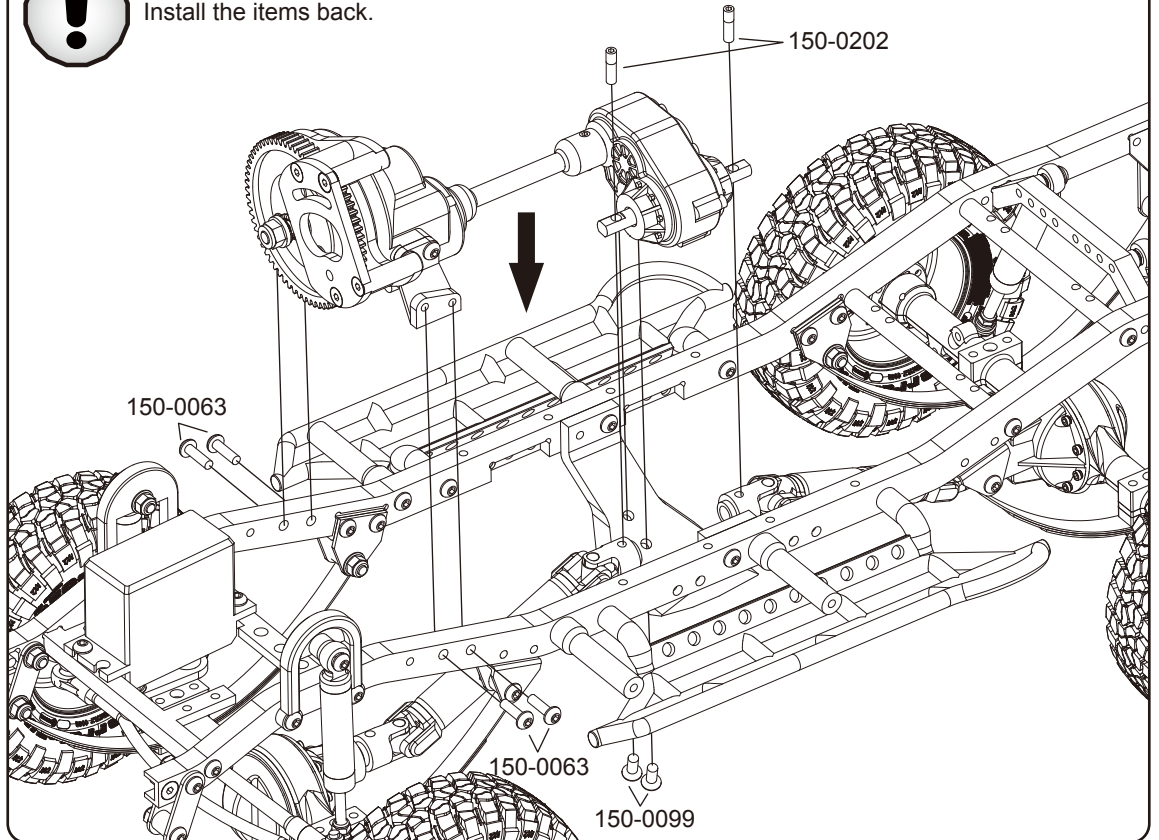


X2

150-0202
M3 Drive Shaft Pin



Install the items back.



RC4WD Step 46



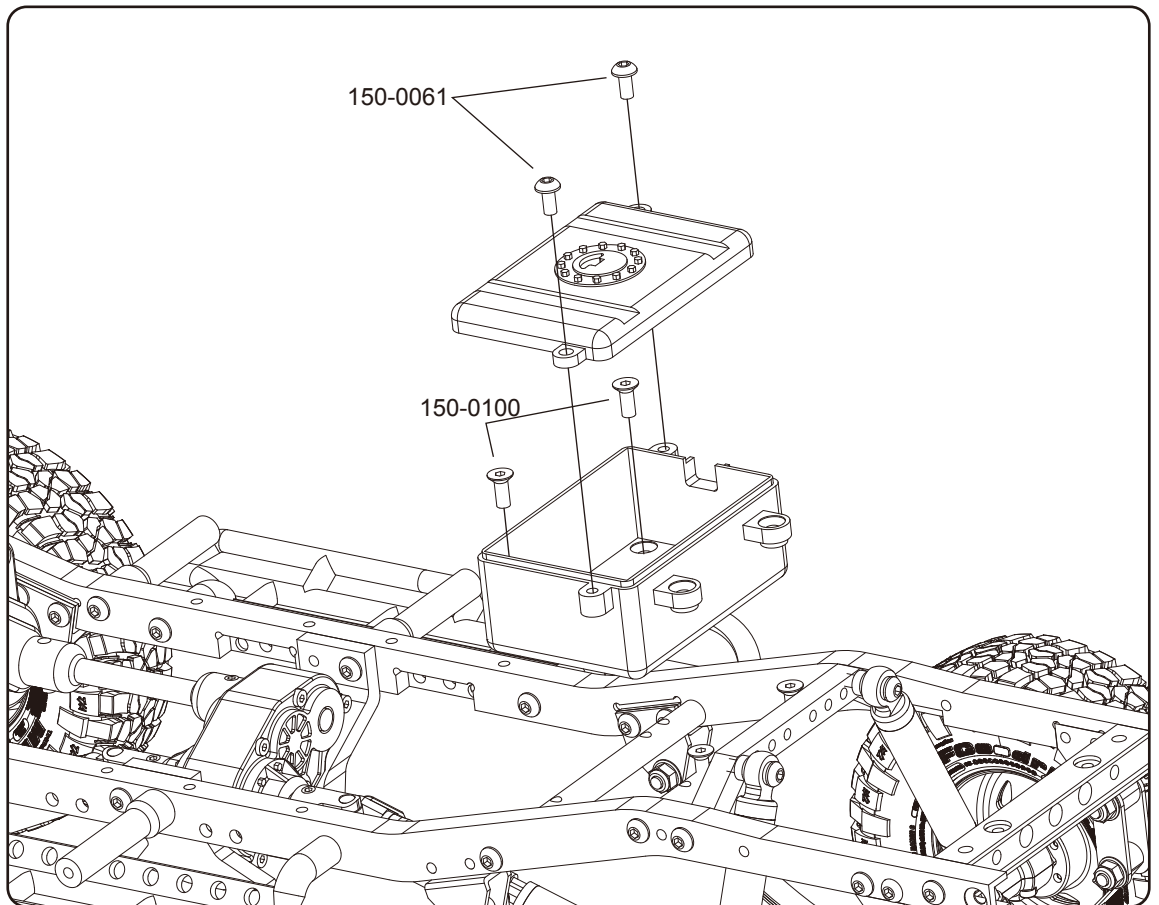
X2

150-0100
M3 x 8mm
Flat Head Cap Screw



X2

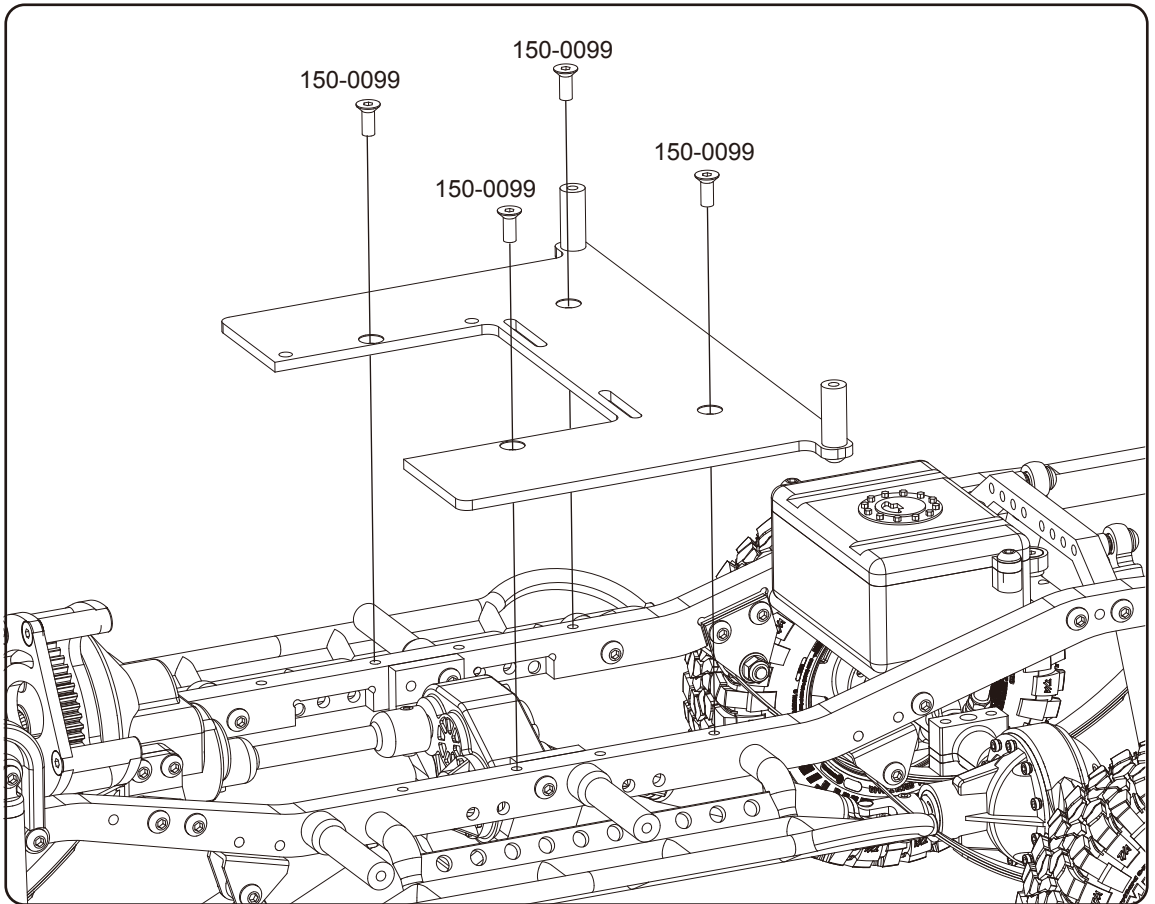
150-0061
M3 x 6mm
Button Head
Cap Screw



RC4WD Step 47



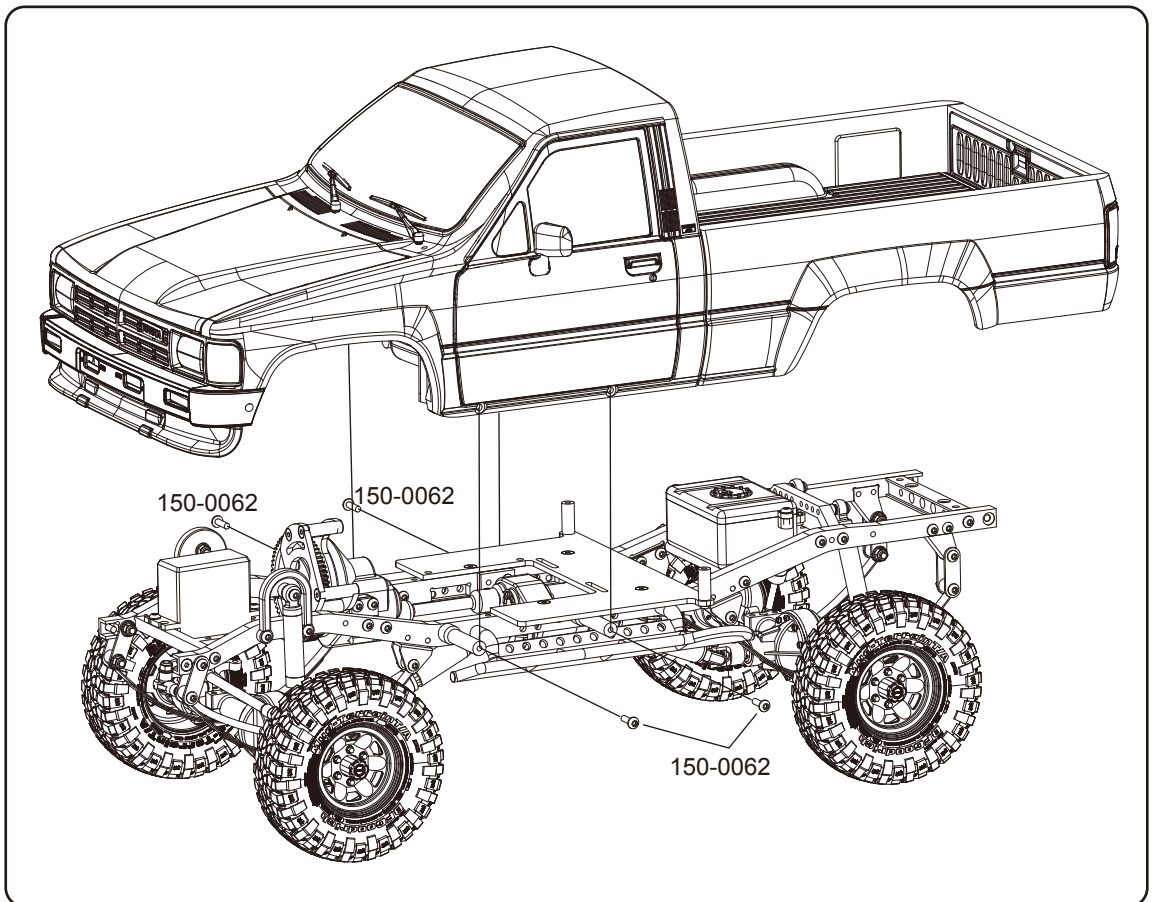
X4
150-0099
M3 x 6mm
Flat Head Cap Screw



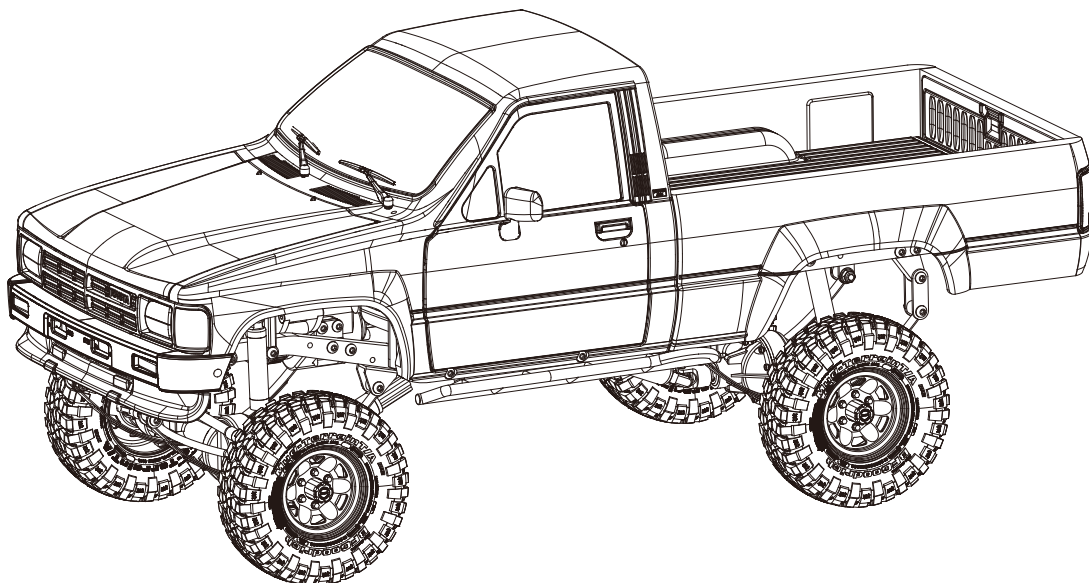
RC4WD Step 48



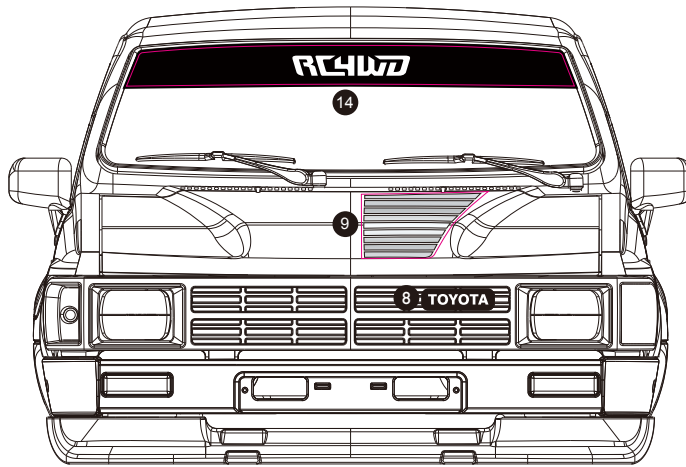
X4
150-0062
M3 x 8mm
Button Head Cap Screw



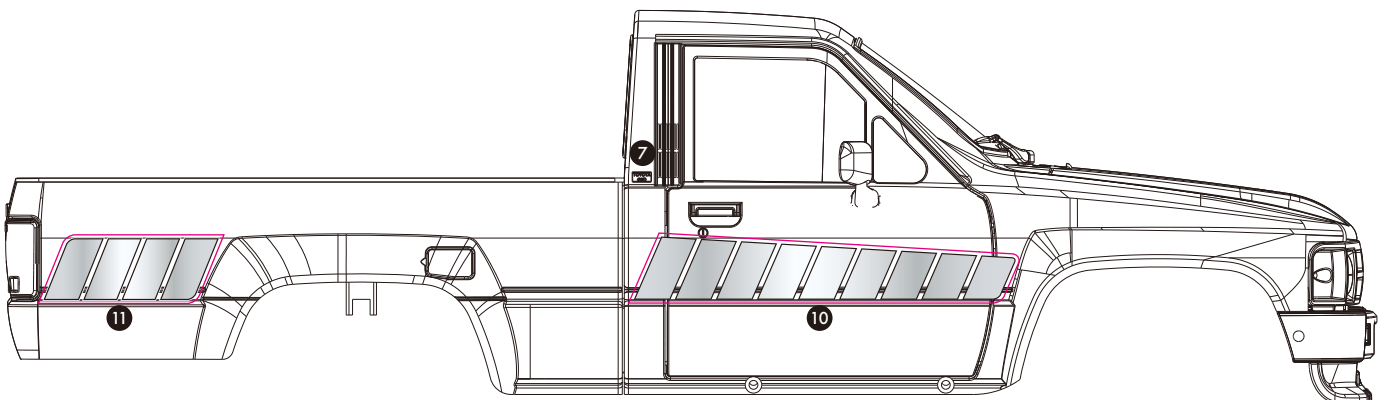
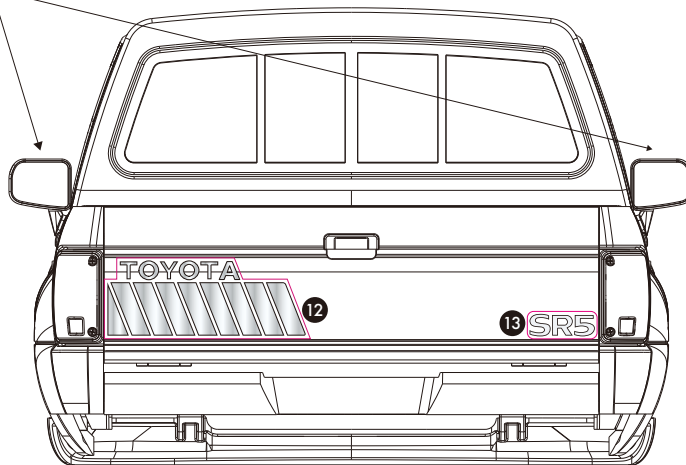
RC4WD
Step 49



How to Install Body Decals



Chrome
Mirror Decals
100-0074



* Can use stickers in place of metal emblem

Certain decal sheets are supplied with multiple styles, giving you the option to choose whichever best fits your personal style! Many of the decals supplied can be freely applied in any location.



REPLACEMENT PARTS

Piezas de repuesto / Pièces de rechange / Ersatzteile

Z-B0025 RC4WD 1985 Toyota Pickup Main Cab
Z-B0031 RC4WD 1985 Toyota Pickup Interior
Z-B0033 RC4WD 1985 Toyota Pickup Parts
Z-B0058 RC4WD 1985 Toyota Pickup Clear Parts (A)
Z-B0090 RC4WD 1985 Toyota Pickup Clear Parts (B)
Z-B0184 RC4WD 1985/87 Toyota Pickup/4Runner/Xtracab Hood
Z-B0186 RC4WD 1985/87 Toyota Pickup/4Runner/Xtracab Chrome Front Bumper
Z-B0188 RC4WD 1985 Toyota Pickup/4Runner Seats (A)
Z-B0189 RC4WD 1985/87 Toyota Pickup/4Runner/Xtracab Seats (B)
Z-B0190 RC4WD 1985/87 Toyota Pickup/4Runner/Xtracab Doors and Door Panels
Z-B0191 RC4WD 1985/87 Toyota Pickup/4Runner/Xtracab Dashboard
Z-B0193 RC4WD 1985/87 Toyota Pickup/4Runner/Xtracab Chrome Parts
Z-B0196 RC4WD 1985/87 Toyota Pickup/4Runner/Xtracab Rubber Mirrors
Z-B0218 RC4WD 1985 Toyota Pickup and 1987 XtraCab Bed
Z-B0220 RC4WD 1985/87 Toyota Pickup/Xtracab Tailgate and Cab Back
Z-B0240 RC4WD 1985/87 Toyota Pickup/4Runner/Xtracab Body Mount Posts for TF2 Chassis
Z-S1927 RC4WD 1985/87 Toyota Pickup/4Runner/Xtracab Metal Brackets
Z-S1103 RC4WD Metal Emblems for 1985/87 Toyota Pickup/Xtracab



OPTIONAL PARTS

Partes opcionales / Pièces en option / Optionale teile

Z-B0211	RC4WD Classic Strips for 1985/87 Toyota Pickup/4Runner/Xtracab Sheet(Black)
Z-B0212	RC4WD Classic Stripes for 1985/87 Toyota Pickup/4Runner/Xtracab Sheet (White)
Z-B0247	Yota 22RE Engine Bay for TF2 Chassis
Z-E0018	RC4WD Universal Advanced LED Lighting System
Z-E0022	RC4WD KC HiLiTES Daylighter Light Set V2
Z-E0036	RC4WD KC HiLiTES KC Light Set V2
Z-E0039	Basic Lighting System for 1985/87 Toyota Pickup/4Runner/Xtracab Hard Body V2
Z-E0132	RC4WD KC HiLiTES Rectangle Lights with Covers
Z-S0151	RC4WD Toyota 84-85 Body Decals (Grey)
Z-S0249	RC4WD Half Doors for 1985/87 Toyota Pickup/4Runner/Xtracab
Z-S0358	Truck Bed Mount Angled Spare Tire Carrier
Z-S0505	RC4WD Windshield Sun Visor for 1985/87 Toyota Pickup/4Runner/Xtracab
Z-S0517	RC4WD Roam Adventure 1/10 45QT Rugged Cooler
Z-S0524	RC4WD Roam Adventure 1/10 95L Rugged Case
Z-S0540	RC4WD Roam Adventure 1/10 160L Rugged Case
Z-S0759	1/10 Bed Mounted Tire Carrier
Z-S1300	1/10 Sleeping Mat w/Straps (Green)
Z-S1302	1/10 Sleeping Mat w/Straps (Black)
Z-S1317	RC4WD ARB 1/10 Fridge Freezer
Z-S1612	RC4WD 1/10 Wooden Shipping Case
Z-S1613	Black Dino 1/10 Aluminum Propane Tank
Z-S1765	Garage Series Cooler
Z-S1904	Tough Armor Tube Winch Bumper for 1985/87 Toyota Pickup/4Runner/Xtracab
Z-S2088	Bed Rails for 1985/87 Toyota Pickup/Xtracab
Z-S2133	RC4WD Bull Bar for Toyota Pickups/4Runner (Chrome)
Z-S2134	RC4WD Bull Bar for Toyota Pickups/4Runner (Black)
Z-S2140	RC4WD Double Steel Tube Roll Bar for Toyota Pickups/4Runner(Black)
Z-S2141	Double Steel Tube Front Bumper (1985/87 Toyota Pickup/4Runner/Xtracab)
Z-X0001	RC4WD Roll Bar for 1985/87 Toyota Pickup/XtraCab and 1982 Pickup (Chrome)
Z-X0049	1/10 Military Storage Box
VVV-C0746	Mud Flap Set for 1985 Toyota Pickup/4Runner Hard Body
VVV-C0747	Steel Exhaust for 1985 Toyota Pickup/4Runner Hard Body
VVV-C0748	Radiator Guard for 1985 Toyota Pickup/4Runner Hard Body
VVV-C0751	Boogie Body Stripes for 1985 Toyota Pickup/4Runner Hard Body
VVV-C0752	Front Windshield Decals for 1985 Toyota Pickup/4Runner Hard Body
VVV-C0753	Steel Push Bar Front Bumper for 1985 Toyota Pickup/4Runner Hard Body
VVV-C0755	Rhino Front Bumper for 1985 Toyota Pickup/4Runner Hard Body
VVV-C0760	Tube Side Sliders for 1985 Toyota Pickup/4Runner Hard Body
VVV-C0761	Tube Front Doors for 1985 Toyota Pickup/4Runner Hard Body





www.rc4wd.com



RC4WD

737 N. Gateway St.

Visalia, CA 93291

Web: www.rc4wd.com - Email: support@rc4wd.com

TOYOTA logos are used under license to RC4WD.

